

TOTAL PAINTER®



-  *Instruction manual*
-  *Manual de instrucciones*
-  *Manuel d'instructions*
-  *Gebrauchsanleitung*
-  *Manuale d'istruzioni*
-  *Instruções de uso*
-  *Handleiding*

International patents pending. All imitations will be prosecuted.

TOTAL PAINTER® is a registered EU/CTM trade mark.

ENGLISH**CONTENTS**

| | |
|-----------------------------|----|
| A. GENERAL SAFETY WARNINGS | 7 |
| B. PARTS DETAIL | 8 |
| C. GETTING STARTED | 9 |
| D. BREAKS | 10 |
| E. AFTER USE | 10 |
| F. MAINTENANCE | 10 |
| G. STORAGE | 10 |
| H. ASSEMBLY | 10 |
| I. TECHNICAL SPECIFICATIONS | 10 |

ESPAÑOL**INDICE**

| | |
|--|----|
| A. INDICACIONES GENERALES DE SEGURIDAD | 12 |
| B. DETALLE PIEZAS | 13 |
| C. PUESTA EN SERVICIO | 14 |
| D. INTERRUPCIÓN DE SERVICIO | 15 |
| E. PUESTA FUERA DE SERVICIO | 15 |
| F. MANTENIMIENTO | 15 |
| G. ALMACENAMIENTO | 15 |
| H. MONTAJE | 15 |
| I. ESPECIFICACIONES TÉCNICAS | 16 |

FRANÇAIS**INDEX**

| | |
|--------------------------------------|----|
| A. INDICATIONS GÉNÉRALES DE SÉCURITÉ | 17 |
| B. LISTE DE PIÈCES | 18 |
| C. MISE EN SERVICE | 19 |
| D. INTERRUPTION DE SERVICE | 20 |
| E. MISE HORS SERVICE | 20 |
| F. ENTRETIEN | 20 |
| G. RANGEMENT | 20 |
| H. MONTAGE | 20 |
| I. CARACTÉRISTIQUES TECHNIQUES | 20 |

DEUTSCH**INHALTSVERZEICHNIS**

| | |
|-----------------------------------|----|
| A. ALLGEMEINE SICHERHEITSHINWEISE | 22 |
| B. DETAILS ZU DEN TEILEN | 23 |
| C. INBETRIEBNAHME | 24 |
| D. BETRIEBSUNTERBRECHUNG | 25 |
| E. AUSSERBETRIEBSETZUNG | 25 |
| F. WARTUNG | 25 |
| G. LAGERUNG | 25 |
| H. ZUSAMMENBAU | 25 |
| I. TECHNISCHE DATEN | 26 |

ITALIANO**INDICE**

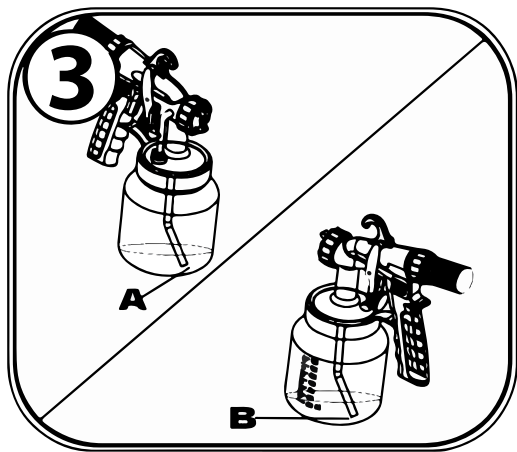
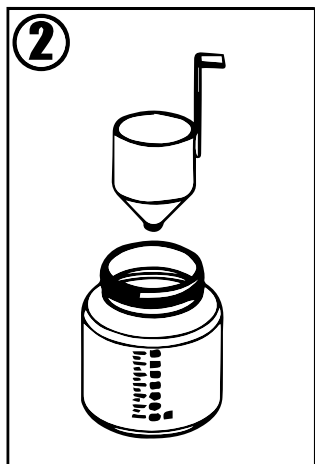
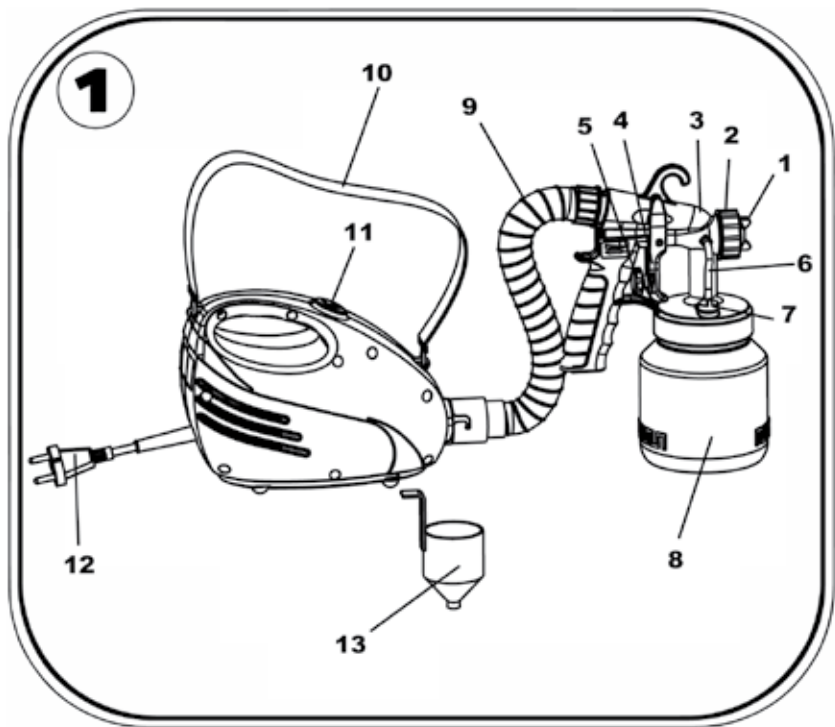
| | |
|--------------------------------------|----|
| A. INDICAZIONI GENERALI DI SICUREZZA | 27 |
| B. DETTAGLIO PEZZI | 28 |
| C. MESSA IN SERVIZIO | 29 |
| D. INTERRUZIONI | 30 |
| E. MESSA FUORI SERVIZIO | 30 |
| F. MANUTENZIONE | 30 |
| G. STOCCAGGIO | 30 |
| H. MONTAGGIO | 30 |
| I. SPECIFICHE TECNICHE | 31 |

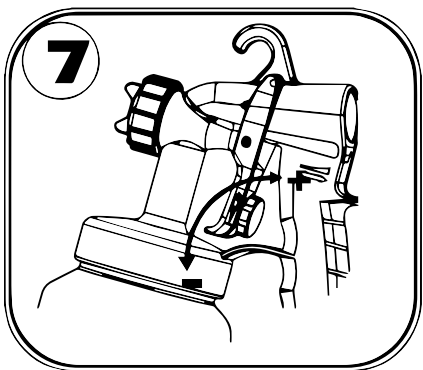
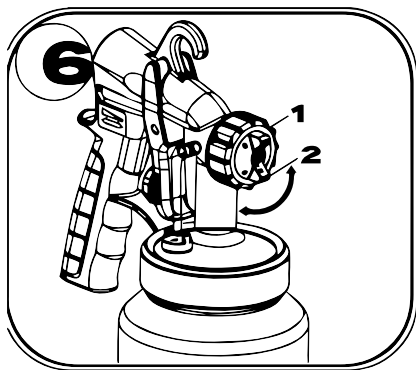
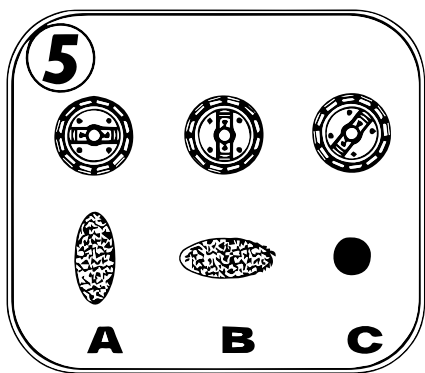
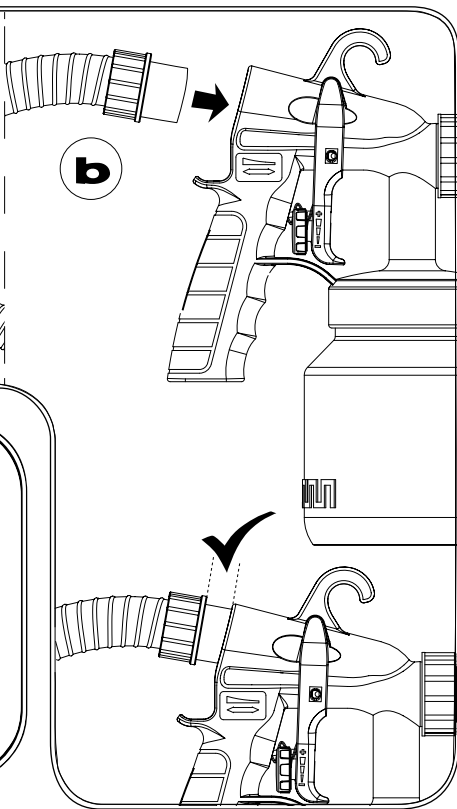
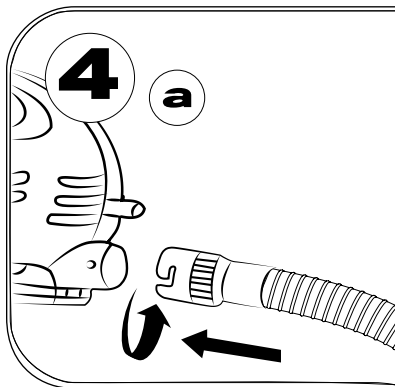
PORTUGUÊS**ÍNDICE**

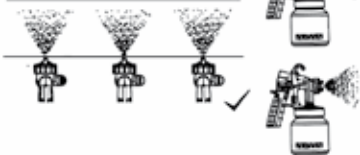
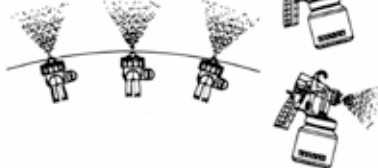
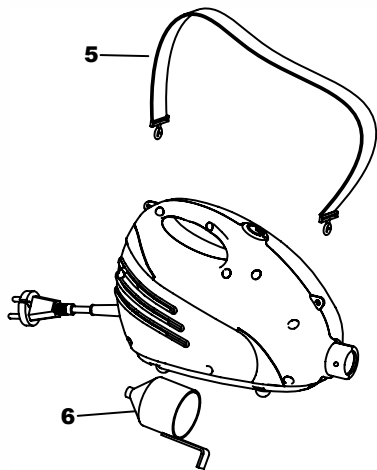
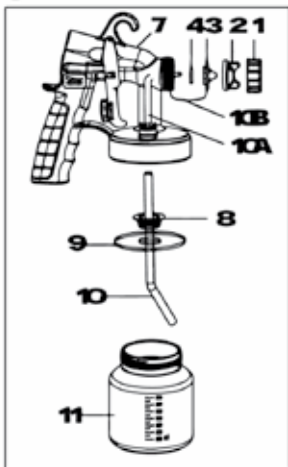
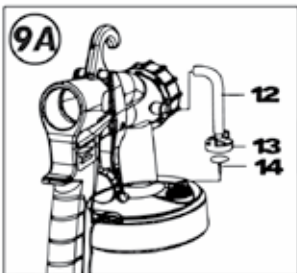
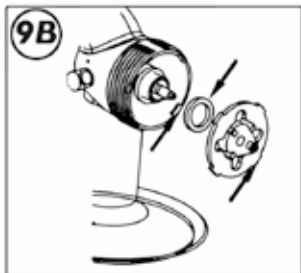
| | |
|-----------------------------------|----|
| A. INDICAÇÕES GERAIS DE SEGURANÇA | 32 |
| B. DETALHE PEÇAS | 33 |
| C. COLOCAÇÃO EM SERVIÇO | 34 |
| D. INTERRUÇÃO DO SERVIÇO | 35 |
| E. COLOCAÇÃO FORA DE SERVIÇO | 35 |
| F. MANUTENÇÃO | 35 |
| G. ARMAZENAGEM | 35 |
| H. MONTAGEM | 35 |
| I. ESPECIFICAÇÕES TÉCNICAS | 36 |

NEDERLANDS**INHOUDSOPGAVE**

| | |
|-------------------------------------|----|
| A. ALGEMENE VEILIGHEIDSAANWIJZINGEN | 37 |
| B. OVERZICHT ONDERDELEN | 38 |
| C. INBEDRIJFSTELLING | 39 |
| D. HET GEBRUIK ONDERBREKEN | 40 |
| E. BUITEN BEDRIJF STELLEN | 40 |
| F. ONDERHOUD | 40 |
| G. OPBERGEN | 40 |
| H. MONTAGE | 40 |
| I. TECHNISCHE KENMERKEN | 41 |





8A**8B****9****9A****9B**

Thank you for purchasing the Total Painter® spray gun. Before you start using it, please read the instructions for use and all the safety warnings carefully. Keep this manual on hand for future use.

NOTE: TRANSLATION OF THE ORIGINAL INSTRUCTIONS

General Safety Warnings

Errors resulting from failure to adhere to the following instructions may lead to electric shock, fire and even severe injury. The substances used with this spray gun (solvents, paint, etc.) may contain hazardous, harmful, explosive or corrosive materials.



WARNING Read all safety warnings and all instructions. Failure to follow the warnings and instructions may result in electric shock, fire and/or serious injury.

Save all warnings and instructions for future reference.

The term "power tool" in the warnings refers to your mains-operated (corded) power tool or battery-operated (cordless) power tool.

1. Work Space

- **Keep work area clean and well lit.** Cluttered or dark areas invite accidents.

- **Do not operate power tools in explosive atmospheres, such as in the presence of flammable liquids, gases or dust.** Power tools create sparks which may ignite the dust or fumes.

- Ensure that there are no ignition sources such as naked flames, lit cigarettes, sparks, incandescent wires and hot surfaces during the spraying process.

- To avoid the risk of explosion while spraying, always ensure there is proper ventilation, whether natural or artificial.

- Carefully cover all surfaces that are not going to be sprayed. Remember that the wind can carry the paint spray for long distances, which may cause damage.

- **Keep children and bystanders away while operating a power tool.** Distractions can cause you to lose control.

2. Electrical Safety

- Avoid contact with all earthed surfaces, such as pipes, heaters and refrigeration units, as there is a risk of electric shock if your body is earthed.

- **Power tool plugs must match the outlet. Never modify the plug in any way. Do not use any adapter plugs with earthed (grounded) power tools.** Unmodified plugs and matching outlets will reduce risk of electric shock.

- **Avoid body contact with earthed or grounded surfaces, such as pipes, radiators, ranges and refrigerators.** There is an increased risk of electric shock if your body is earthed or grounded.

- **Do not expose power tools to rain or wet conditions.** Water entering a power tool will increase the risk of electric shock.

- **Do not abuse the cord. Never use the cord for carrying, pulling or unplugging the power tool. Keep cord away from heat, oil, sharp edges or moving parts.** Damaged or entangled cords increase the risk of electric shock.

- **When operating a power tool outdoors, use an extension cord suitable for outdoor use.** Use of a cord suitable for outdoor use reduces the risk of electric shock.

- **If operating a power tool in a damp location is unavoidable, use a residual current device (RCD) protected supply.** Use of an RCD reduces the risk of electric shock.

3. Personal Safety

- **Stay alert, watch what you are doing and use common sense when operating a power tool. Do not use a power tool while you are tired or under the influence of drugs, alcohol or medication.** A moment of inattention while operating power tools may result in serious personal injury.

- Use breathing protection. Paint spray and solvent fumes can damage your health.

- **Use personal protective equipment. Always wear eye protection.** Protective equipment such as dust mask, non-skid safety shoes, hard hat, or hearing protection used for appropriate conditions will reduce personal injuries.

- Keep this device out of the reach of children and other people while it is being used, as a distraction may cause you to lose control of the device.

- **Prevent unintentional starting. Ensure the switch is in the off-position before connecting to power source and/or battery pack, picking up or carrying the tool.** Carrying power tools with your finger on the switch or energising power tools that have the switch on invites accidents.

- **Do not overreach. Keep proper footing and balance at all times.** This enables better control of the power tool in unexpected situations.

- **Dress properly. Do not wear loose clothing or jewellery. Keep your hair, clothing and gloves away from moving parts.** Loose clothes, jewellery or long hair can be caught in moving parts.

- Do not point the spray stream at people or animals.
- Total Painter® should not be used by people (in-

cluding children) with reduced physical, sensory or mental abilities, or without adequate experience or knowledge, unless they are supervised by someone responsible for their safety or are given instructions on how to use the device. Children should not be allowed to play with the device.

4. Power tool use and care

- Only materials recommended for spray-gun painting should be used.

- **Do not use the power tool if the switch does not turn it on and off.** Any power tool that cannot be controlled with the switch is dangerous and must be repaired.

- **Disconnect the plug from the power source and/or the battery pack from the power tool before making any adjustments, changing accessories, or storing power tools.** Such preventive safety measures reduce the risk of starting the power tool accidentally.

- **Store idle power tools out of the reach of children and do not allow persons unfamiliar with the power tool or these instructions to operate the power tool.** Power tools are dangerous in the hands of untrained users.

- **Maintain power tools. Check for misalignment or binding of moving parts, breakage of parts and any other condition that may affect the power tool's operation. If damaged, have the power tool repaired before use.** Many accidents are caused by poorly maintained power tools.

- **Use the power tool, accessories and tool bits etc. in accordance with these instructions, taking into account the working conditions and the work to be performed.** Use of the power tool for operations different from those intended could result in a hazardous situation.

- Spray guns must not be cleaned using flammable solvents with a flash point of below 21°C.

- Spray guns must not be used to spray flammable substances.

- Never spray materials with an unknown hazard level.

- Spray canisters must not be used in industrial premises covered by by-laws on protection against explosions.

- Pay attention to risks arising from the sprayed material and follow the instructions on the container labels or the manufacturer's instructions regarding the sprayed material.

- Ensure that solvent vapour is not sucked in by the device. Do not aim the spray stream at the device!

- If paint gets into the air hose (Figure 9A-12), do not

continue using the device. If this happens, you must dismantle the air hose, the valve (Figure 9A-13) and the membrane (Figure 9A-14), and clean and, if necessary, replace the membrane.

5. Service

-Have your power tool serviced by a qualified repair person using only identical replacement parts. This will ensure that the safety of the power tool is maintained.

-Have your power tool serviced by a qualified repair person using only identical replacement parts. This will ensure that the safety of the power tool is maintained.

PARTS DETAIL

(See Figure 1)

| | |
|----|-----------------------|
| 1 | Nozzle |
| 2 | Nozzle adjuster ring |
| 3 | Spray gun body |
| 4 | Trigger |
| 5 | Flow-adjustment screw |
| 6 | Air hose |
| 7 | Valve |
| 8 | Paint tank |
| 9 | Hose |
| 10 | Carry strap |
| 11 | ON/OFF switch |
| 12 | Plug |
| 13 | Viscosity cup |

MATERIAL TYPES:

Use materials recommended for use with a spray gun.

Preparation of the spray material

Total Painter can be used to spray undiluted or slightly diluted paint, lacquer and varnish.

If the paint needs to be diluted, start with a dilution of 10%. Do this by filling a 1-litre container with the paint to be used. The viscosity cup holds one decilitre, so cover the hole and fill it with the required thin-

ner. Add the thinner to the paint and stir thoroughly. Then measure the viscosity using the guidelines provided below. If the paint needs to be thinned further, dilute it by a further 5% (half the capacity of the viscosity cup) and measure the viscosity again. If the paint has still not reached the recommended viscosity, repeat the previous step until the right viscosity is obtained.

This spray gun can be used with products with a viscosity of 25 DIN/sec to a maximum of 50 DIN/sec. Submerge the viscosity cup in the material and fill it. Then time how long it takes for the cup to empty (Figure 2). This time is known as "DIN/sec". Apart from these guidelines, you should also see the material manufacturer's instructions, as a guide to determine whether the material requires further thinning.

Guidelines:

| Example of material | Approximate DIN values |
|--|-------------------------------|
| Water-based paint and emulsions | 25-50 DIN/sec |
| Gloss paint, water-soluble or solvent-based coloured lacquers | 45-50 DIN/sec |
| Varnishes | undiluted |
| Primers | 45-50 DIN/sec |
| Wood impregnators, stains, oils, disinfectants, phytosanitary products | undiluted |

Follow the instructions provided in this manual only if the material you wish to use does not have its own instructions for use. Otherwise, follow the instructions provided with the material.

GETTING STARTED

Before connecting the device to the mains power supply, please ensure that the mains voltage matches the data shown on the Total Painter® product rating plate.

- Begin by attaching the carry strap to the device.
- Unscrew the tank from the spray gun.
- Align the fluid hose (Figure 3). With the fluid hose in the correct position, the contents of the tank can be sprayed with almost no residue. To paint or for work

on horizontal objects, bend the fluid hose forward (Figure 3A). For work on objects above head height, bend the fluid hose backward (Figure 3B).

- Place the tank on a paper-covered surface and fill with the spray material.
- Attach the flexible air hose to the connector on the device and the spray-gun handle (Figure 4).
- The flexible air hose should be connected to the spray gun. Make sure it is firmly attached. The hose does not have to be completely inserted, but it must be firmly in place.
- Place the device on a clean, flat surface to prevent it from sucking in dust, etc.
- Hang the device from the carry strap.
- Aim the spray gun at the object to be sprayed.
- Carry out a test on a piece of cardboard or on a surface similar to the one to be sprayed. This will allow you to determine the amount of material and the type of spray.
- Activate the "ON/OFF" button and start using Total Painter®.

Choosing the Spray Pattern

The spray has three different patterns:

1. Vertical fan, recommended for horizontal surfaces (Figure 5A)
2. Horizontal fan, recommended for vertical surfaces (Figure 5B)
3. Round stream, recommended for corners and hard-to-access surfaces (Figure 5C)

Adjusting the Spray

With the nozzle adjuster ring slightly loosened, turn the air cap to the desired spray position (Figure 6). Then tighten the nozzle adjuster ring again. Never press the spray-gun trigger while adjusting the air cap.

Adjusting the Material Flow

To adjust the material flow, turn the adjustment screw on the spray-gun trigger:

- for less material, turn to the left.
- for more material, turn to the right (Figure 7)

Spraying Techniques

- To ensure optimum results, the surface to be sprayed must be completely clean and smooth before being sprayed. We recommend carefully preparing the surface beforehand.
- Cover all surfaces that you do not want to spray, including screws and nuts.
- Perform a spray test on a piece of cardboard or on a similar surface before starting to use the product;

this will allow you safely adjust the spray gun. You should also begin spraying away from the surface and avoid breaks while spraying on the surface to be sprayed.

- The spraying movement should be from the arm rather than from the wrist in order to ensure a constant distance between the spray gun and the surface. Choose a distance of between 5 and 15 cm, depending on the desired width of the spray stream. Figure 8A shows the correct position, in which the distance to the object is constant; Figure 8B shows the incorrect position, as the irregular distance produces an uneven spray.

- Move the spray gun evenly from side to side or up and down, depending on the spray-pattern setting.

- Even movement of the spray gun will produce a surface with uniform quality.

- If the spray material accumulates in the nozzle and the air cap, clean both parts with solvent or water.

BREAKS

If you need to stop using the device for 4 hours or less:

- Turn off the device.

- When using two-component lacquers, the device must be cleaned immediately.

AFTER USE

For the device to work correctly, it must be cleaned properly. We recommend the following:

- Unplug the device. During long breaks and after finishing work, release the air from the tanks. Do this by opening the tank for a short period of time and closing it again or by pressing the trigger of the spray gun and emptying the paint into its original container.

- Disassemble the spray gun.

- Unscrew the tank. Empty the remaining spray material back into its container.

- Clean the tank and the fluid hose using a brush.

- Fill the tank with solvent or water and screw it to the spray gun. Only solvents with a flash point above 21°C can be used.

- Reassemble the spray gun (Figure 9).

- Plug the power cord into the mains, turn on the device and spray the solvent or water into a container or cloth.

- Turn off and unplug the device.

- Unscrew the tank and empty it. Remove the fluid hose and tank seal.

- Pull the air hose (Figure 9A-12) above the spray-gun body. Unscrew the valve cover (Figure 9A-13) and remove the membrane (Figure 9A-14). Carefully clean all the parts.

- Unscrew the nozzle adjuster ring and remove the air cap and the nozzle. Clean the air cap, the nozzle seal and the nozzle with a brush and solvent or water. Do not use sharp metal objects to clean the seals, the membrane and the nozzle orifices or air-drain valves of the spray gun.

- Clean the outside of the spray gun using a cloth soaked in solvent or water.

- Reassemble the parts.

Maintenance

Air cap/nozzle - Remove the air cap and the nozzle from the spray gun and submerge in clean solvent. Dry using compressed air. If the small orifices become blocked, also submerge the air cap in solvent. If it is necessary to scrape the orifices, use a toothpick or straw or any other material that is not too hard.

Do not clean the orifices using wire, nails or other hard objects. Failure to follow these instructions may cause permanent damage to the cap, producing larger spray streams and resulting in defective spraying results.

The set includes a cleaning pin. This tool can be used to clean and eliminate paint remains from the small orifices on the spray gun. If you cannot completely eliminate paint remains, use this tool by following the detailed maintenance instructions provided.

Storage

Store the spray gun with a little solvent in the air cap and nozzle to prevent the gun needle from drying out or breaking, thereby causing potential loss of air or liquid.

ASSEMBLY

The device should only be used with the membrane intact (Figure 9A-14). Place the membrane with the stem facing up on the lower part of the valve. See also the mark on the body of the spray gun. Place the valve cover carefully and screw tightly. Insert the air hose into the valve cover and the connector into the body of the spray gun. Correctly position the nozzle so that it engages with the notches on the spray gun (Figure 9B).

Insert the nozzle into the body of the spray gun and turn it to the correct position. Fit the air cap onto the nozzle and tighten it with the nozzle adjuster ring.

Finally, insert the tank seal under the fluid hose and slide up to the join. To do this, twist the tank seal slightly and insert the fluid hose with the tank seal into the body of the spray gun.

SET INCLUDES:

- Main device
- Hose
- Carry strap
- Viscosity cup
- Spray gun
- Paint tank
- Cleaning pin

TECHNICAL SPECIFICATIONS

VOLTAGE: 220-240 V; 50 Hz
 MAXIMUM INPUT POWER: 900 W
 FLOW: 800 mL/min (spray water)
 TANK CAPACITY: 800 ml
 LENGTH OF HOSE: 1.5 m
 MAXIMUM VISCOSITY: 45 DIN/sec
 MOTOR SPEED: 36,000 rpm
 WEIGHT: 1.9 kg
 Noise data: LpA=82.1dB(A) ; LwA=93.1dB(A) K=3
 Vibration data: 2,180m/s² K=1.5

Quality Warranty


This product is covered by a warranty against manufacturing defects subject to the time periods stipulated by the legislation in force in each country.

This warranty does not cover damages resulting from inadequate use, negligent commercial use, abnormal wear and tear, accidents or improper handling.

Australia & New Zealand only

This product has the benefit of certain Consumer Guarantees. These are prescribed by the Australian Consumer Law & the New Zealand Consumer Guarantees Act 1993 both of which provide protection for consumers. There is no express warranty for this product in Australia or New Zealand. The above paragraph refers to other countries.

ATTENTION**Disposal of materials**

 A symbol of a crossed-out wheeled bin means you should find out about and follow local regulations about disposing of this kind of product.

Do not dispose of this product as you would other household waste.

Dispose of this device in accordance with the corresponding local regulations.

Electrical and electronic devices contain hazardous substances that can have harmful effects on the environment and/or human health and should be recycled properly.



This appliance is double insulated; therefore, no earth wire is required. Always check that the mains voltage corresponds to the voltage on the product rating plate.



WARNING - To reduce the risk of injury, user must read instruction manual.

Declaration of Conformity

We declare under our sole responsibility that this VBRVACIND0001

900W ELECTRIC SPRAY GUN is in conformity with the following standard or standardized documents.

EC directives 2006/42/EC

Low voltage Directive 2006/95/EC (until April 19th, 2016)

2014/35/EU (from April 20th, 2016)

Electromagnetic Compatibility Directive 2014/30/EU

EC RoHS directive 2011/65/EU

and conforms with the norms

EN 60745-1/A11:2010

EN 50580/A1:2013

EN 55014-1/A2:2011

EN 55014-2/A2:2008

EN 61000-3-2/A2:2009

EN 61000-3-3:2013

IEC 62321:2008

INDUSTEX S.L

ADD:AV. P.CATALANES 34 8A PLANTA 08950 ES-PLUGAS DE LLOBREGAT (BARCELONA) SPAIN

Made in China

Gracias por la compra de su pistola de pulverización Total Painter®. Antes de empezar a utilizarla, le rogamos leer atentamente a fondo las instrucciones de uso, así como todas las indicaciones de seguridad. Guarde el manual en un lugar accesible para su uso futuro.

INDICACIONES GENERALES DE SEGURIDAD

Los errores cometidos por no observar las siguientes instrucciones pueden causar descarga eléctrica, fuego o incluso graves lesiones. Las sustancias que se utilizan con esta pistola de pulverización (disolventes, pinturas, etc.) pueden contener materiales peligrosos, dañinos, explosivos o corrosivos.

ADVERTENCIA. Lea todas las instrucciones y advertencias de seguridad. En caso de no seguirlas, podrían producirse descargas eléctricas, incendios o daños personales graves.



Guarde todas las advertencias e instrucciones para consultarlas en el futuro. En las advertencias, la expresión «herramienta eléctrica» se refiere tanto a herramientas conectadas a la corriente (con cable) como a herramientas accionadas mediante batería (inalámbricas).

1. Puesto de Trabajo

- **Mantenga su área de trabajo limpia y bien iluminada.** En los espacios abarrotados u oscuros es más probable que ocurran accidentes.

- **No utilice herramientas eléctricas en ambientes con peligro de explosión, donde haya líquidos, gases o polvos inflamables.** Las herramientas eléctricas proyectan chispas que podrían prender fuego al polvo o a los gases.

- **Asegúrese que durante la pulverización en el entorno no deben haber focos de ignición como sean fuego de llama libre, humo de cigarrillos, chispas, alambres incandescentes y superficies calientes.**

- **Para evitar el peligro de explosión durante los trabajos de pulverización debe siempre asegurarse de que hay una buena aireación, ya sea natural o artificial.**

- **Cubra muy bien las superficies que no van a ser pulverizadas.** Tenga en cuenta que por medio del viento, la niebla de pintura puede transportarse a más grandes distancias pudiendo de esta manera causar daños.

- **Mantenga a los niños y transeúntes alejados mientras utilice la herramienta eléctrica.** Las distracciones pueden hacer que el operario pierda el control.

2. Seguridad Eléctrica

- Evite el contacto con superficies puestas a tierra, tales como tuberías, calefactores y neveras ya que existe el riesgo por descarga eléctrica si su cuerpo tiene contacto a tierra.

- **El enchufe de la herramienta eléctrica debe**

coincidir con la toma. Bajo ninguna circunstancia deberá modificarse el enchufe original. Tampoco podrán utilizarse adaptadores con los equipos con conexión a tierra. Los enchufes originales disminuyen el riesgo de sufrir descargas eléctricas.

- **Evite el contacto físico con superficies conectadas a tierra, como tuberías, radiadores, estufas y refrigeradores.** Si entra en contacto con una superficie conectada a tierra, correrá más riesgo de sufrir una descarga eléctrica.

- **No exponga las herramientas eléctricas a la lluvia ni a la humedad,** ya que la penetración de agua en cualquier aparato eléctrico aumenta el riesgo de que se produzca una descarga eléctrica.

- **No utilice el cable indebidamente. En concreto, no lo use para arrastrar la herramienta eléctrica ni tire de él para desenchufarla.** Mantenga el cable alejado de fuentes de calor, aceite, cantos cortantes o elementos en movimiento. Los cables deteriorados o enredados aumentan el riesgo de sufrir descargas eléctricas.

- **Cuando utilice herramientas eléctricas al aire libre, emplee un cable alargador adecuado para espacios exteriores.** Así reducirá el riesgo de sufrir descargas eléctricas.

- **Cuando deba utilizar una herramienta eléctrica en un lugar húmedo, utilice un interruptor diferencial para reducir el riesgo de recibir una descarga eléctrica.**

3. Seguridad de Personas

- **Preste mucha atención a lo que está haciendo y proceda con sentido común al trabajar con herramientas eléctricas. No utilice una herramienta eléctrica si está cansado o se halla bajo el efecto de drogas, alcohol o medicamentos.** Un solo momento de descuido durante la utilización del equipo puede dar lugar a serias lesiones.

- **Utilice protección respiratoria.** Las nieblas de pintura y los vapores disolventes son perjudiciales para la salud.

- **Utilice un equipo de protección individual y póngase gafas protectoras.** El uso de material de protección (como mascarillas para el polvo, calzado de seguridad antideslizante, casco y protección para los oídos) disminuye el riesgo de sufrir lesiones.

- **Mantener a los niños y otras personas alejados de este aparato durante el uso ya que al distraerse puede perder el control sobre el aparato.**

- **Evite que la herramienta se ponga en marcha por accidente. Asegúrese de que el interruptor está en la posición «OFF» antes de enchufar el aparato a la corriente o de conectar la batería, o bien cuando recoja o transporte la herramienta.** Si al trasladar la herramienta eléctrica tiene el dedo puesto en el interruptor o bien la enchufa con el interruptor en la posición «ON», pueden producirse accidentes.

- **No adopte posturas forzadas y mantenga el equilibrio en todo momento.** De esta manera, podrá controlar mejor el aparato en situaciones inesperadas.

- **Use la indumentaria adecuada. No lleve prendas sueltas ni joyas. Mantenga el cabello, la ropa y los guantes alejados de las piezas móviles.** La ropa suelta, las joyas y el cabello largo pueden quedar atrapados en las piezas móviles de la herramienta.

- No dirija el chorro de pintura a personas o animales.

- El Total Painter® no deberá ser utilizado por personas (inclusive niños) de capacidad física, sensorial o mental limitada o que no disponen de experiencia y/o conocimientos; a no ser que sean supervisados por una persona responsable por su seguridad, o que reciban de ellas las instrucciones necesarias para utilizar el equipo. Los niños no deben jugar con el aparato.

4. Uso y mantenimiento de la herramienta eléctrica

- Deben procesarse materiales únicamente recomendados para pintura en pistola.

- **No utilice la herramienta eléctrica si el interruptor no la conecta y desconecta.** Las herramientas eléctricas que no se pueden controlar con el interruptor son peligrosas y deben repararse.

- **Desenchufe la herramienta o desconecte la batería antes de realizar ajustes, cambiar accesorios o guardarla.** Estas medidas de seguridad preventivas reducen el riesgo de que la herramienta se ponga en marcha accidentalmente.

- **Guarde las herramientas eléctricas que no utilice fuera del alcance de los niños y no permita que las utilicen personas no familiarizadas con ellas o con sus instrucciones.** Las herramientas eléctricas son peligrosas en manos de usuarios sin práctica.

- **Realice el mantenimiento de las herramientas eléctricas. Compruebe que las piezas móviles estén bien ajustadas, que no haya piezas rotas y demás circunstancias que puedan provocar un mal funcionamiento de la herramienta eléctrica.** Si observa algún daño, hágalo reparar antes de usar la herramienta. Muchos accidentes están causados por la falta de mantenimiento de la herramienta.

- **Utilice la herramienta eléctrica, los accesorios, las piezas, etc. de acuerdo con estas instrucciones, teniendo en cuenta las condiciones del entorno de trabajo y la tarea que deba realizar.** El uso de la herramienta eléctrica para fines que no sean los indicados puede resultar peligroso.

- Las pistolas de pulverización no deben limpiarse con disolventes inflamables que tienen un punto de inflamación inferior a 21 °C.

- Las pistolas de pulverización no deben utilizarse

para pulverizar sustancias inflamables.

- Nunca pulverice materiales cuyo grado de peligrosidad no es conocido.

- Las botellas de pulverización no deben utilizarse en locales industriales que entran en la ordenanza de protección contra explosiones.

- Preste atención a los peligros que pueden proceder del material pulverizado y observe igualmente las indicaciones en las etiquetas de los depósitos, o a las instrucciones del fabricante del material pulverizable.

- Preste atención a los vapores de disolvente para que no sean aspirados por el equipo. ¡No dirija el chorro de pulverización al equipo!

- Si la pintura sube al tubo de ventilación (figura 9A-12) no continuar utilizando el aparato. En este caso deberá desmontar el tubo de ventilación, la válvula (figura 9A-13) y la membrana (figura 9A-14), limpiar y en caso de que sea necesario, sustituir la membrana.

5. Servicio

- **Encargue la reparación de su herramienta eléctrica solamente a personal técnico acreditado que utilice piezas de recambio idénticas a las originales.** Solo de este modo podrá garantizar la seguridad de la herramienta eléctrica.

DETALLE PIEZAS

(Véase figura 1)

| | |
|----|-------------------------------|
| 1 | Boquilla |
| 2 | Anillo boquilla |
| 3 | Cuerpo pistola |
| 4 | Gatillo |
| 5 | Tornillo regulador del fluido |
| 6 | Tubo de aire |
| 7 | válvula |
| 8 | Depósito pintura |
| 9 | Manguera |
| 10 | Correa de transporte |
| 11 | Interruptor ON/OFF |
| 12 | Enchufe |
| 13 | Cubeta de viscosidad |

TIPOS DE MATERIALES

Use material recomendado para uso en pistola.

Preparación del material de recubrimiento

Con Total Painter® pueden pulverizarse pinturas, lacas y barnices, sin diluir o ligeramente diluidos.

Si la pintura necesita dilución, empiece con una dilución de un 10% de la pintura. Hágalo llenando un recipiente de un litro con la pintura a utilizar. Tenga en cuenta que la cubeta de viscosidad tiene capacidad para un decilitro así que, tape el agujero y llénelo con el diluyente necesario. Añádalo a la pintura y remueva bien. Luego, mida la viscosidad siguiendo la información recomendada a continuación. En el caso de que la pintura necesite más dilución, dilúyala otro 5% (la mitad de la capacidad de la cubeta) y mida la viscosidad. Si la pintura aún no se encuentra en la viscosidad recomendada repita el paso anterior hasta obtener la viscosidad adecuada.

Esta pistola se puede usar con productos con una viscosidad de un índice de 25 seg-DIN hasta un máximo de 50 seg-DIN. Sumerja la cubeta de viscosidad en el material y llénelo. Luego, cronometre cuanto tiempo tarda en vaciarse la cubeta (figura 2). A este tiempo se lo denomina "segundos DIN (seg-DIN)". A parte de estas recomendaciones, deberá consultar también las instrucciones del fabricante del material, como guía para determinar si el material necesita más dilución.

Recomendaciones:

| Ejemplo de material | Valores orientativos DIN |
|---|---------------------------------|
| Pintura al agua y emulsiones | 25-50 sec-DIN |
| Esmaltes, lacas de color con disolvente o solubles en agua | 45-50 sec-DIN |
| Barnices | sin diluir |
| Imprimaciones | 45-50 sec-DIN |
| Impregnantes para madera, colorantes, aceites, desinfectantes, productos fitosanitarios | sin diluir |

Utilice las instrucciones facilitadas con este manual únicamente si el material que desea utilizar no está acompañado de instrucciones de uso. En caso contrario, siga las instrucciones proporcionadas con el material.

PUESTA EN SERVICIO

Antes de conectar el aparato a la red de alimenta-

ción, asegúrese de que la tensión de la red coincida con los datos indicados en la etiqueta de características técnicas del Total Painter®.

- Empiece por instalar la correa de transporte en el aparato

- Desensrosar el depósito de la pistola de pulverización.

- Alinear el tubo de subida (figura 3). Con el tubo de subida en correcta posición, el contenido del depósito puede pulverizarse casi sin resto. Para pintar o tratar superficies horizontales deberá girar el tubo de subida hacia delante (figura 3A). Para trabajos de pulverización en objetos por en cima de la cabeza deberá girar el tubo de subida hacia atrás (figura 3B).

- Poner el depósito sobre una base de papel y llenar con el material de pulverización.

- Montar el tubo flexible de aire en el empalme del equipo y del mango de la pistola (figura 4).

- El tubo flexible de aire debe conectarse a la pistola a presión; asegúrese que queda bien sujeto; no es necesario que el tubo entre del todo, basta con que quede bien fijado.

- Colocar el equipo sobre una superficie lisa y limpia ya que de otro modo podrá aspirar polvo, etc.

- Colgar el aparato con la correa de transporte.

- Dirigir la pistola al objeto a pulverizar.

- Se recomienda hacer una prueba de pulverización sobre un cartón o sobre un fondo semejante al que desea pulverizar. Así podrá determinar la cantidad de material y la proyección del pulverizado.

- Accione el botón "ON/OFF" y empiece a utilizar el Total Painter®.

Selección proyección pulverizado

Existen tres formas diferentes de chorro de pulverizado:

1. chorro en abanico vertical, indicado para superficies horizontales (figura 5A)
2. chorro en abanico horizontal, indicado para superficies verticales (figura 5B)
3. chorro redondo, indicado para esquinas y superficies de difícil acceso (figura 5C)

Ajuste proyección pulverizado

Con el anillo boquilla ligeramente aflojado, gire la tapa de aire a la posición de proyección del pulverizado deseada (figura 6). Luego vuelva a apretar de nuevo el anillo boquilla.

Nunca apretar el gatillo de la pistola durante el ajuste de la tapa de aire.

Ajuste de la cantidad de material

Para ajustar la cantidad de material, gire el elemento regulador en el gatillo de la pistola:

- para menos cantidad de material, giro a la izquierda
- para más cantidad de material, giro a la derecha (figura 7)

Técnicas de pulverización

- Para asegurar un buen resultado, es esencial que la superficie esté completamente limpia y lisa antes de la pulverización. Se aconseja someter la superficie a un cuidadoso tratamiento previo.

- Cubrir todas las superficies que no desea pulverizar, incluyendo roscas y tornillos.

- Realizar una prueba de pulverización sobre cartón o sobre un fondo semejante antes de empezar a utilizar el producto, de esta forma podrá determinar con más seguridad el ajuste adecuado de la pistola. Igualmente se recomienda empezar con el pulverizado fuera de la superficie y evitar siempre interrupciones dentro de la superficie de pulverización.

- El desplazamiento del pulverizado no deberá provenir de la muñeca sino del brazo, de esta manera se asegura siempre la misma distancia entre la pistola y la superficie. Elija una distancia de 5-15cm, según la anchura deseada del chorro de pulverizado. La (figura 8A) indica la posición correcta, en la cual la distancia al objeto es uniforme; en cambio la (figura 8B) enseña la posición incorrecta ya que la distancia desigual da lugar a un laqueado irregular.

- Dirija la pistola de pulverización uniformemente en sentido transversal o arriba y abajo, según el ajuste de la proyección del pulverizado.

- Una conducción uniforme de la pistola de pulverización tiene como resultado una superficie de calidad uniforme.

- Si el material de recubrimiento se acumula en la boquilla y la tapa de aire, limpiar ambas partes con disolvente o agua.

INTERRUPCIÓN DE SERVICIO

Si necesita interrumpir el uso del aparato por un período de tiempo no superior a 4h:

- Apagar el equipo.

- En el procesamiento de lacas bicomponentes el equipo se tiene que limpiar inmediatamente.

PUESTA FUERA DE SERVICIO

Para el correcto funcionamiento del aparato, es esencial una limpieza apropiada. Le aconsejamos:

- Extraer la clavija de red. Durante pausas prolongadas y después de terminado el trabajo, purgar el aire de los depósitos. Para tal, abra el depósito por corto período de tiempo y volviéndolo a cerrar, o apretando el gatillo de la pistola y vaciando la pintura al envase original.

- Desmontar la pistola.

- Desenroscar el recipiente. Vaciar el resto del material de recubrimiento de vuelta al envase.

- Limpiar con un pincel el depósito y el tubo de subida.

- Llenar disolvente o agua en el recipiente y enroscarlo. Se pueden procesar únicamente disolventes con un punto de inflamación por encima de 21°C.

- Volver a montar la pistola (figura 9).

- Enchufar la clavija de red, encender el equipo y

pulverizar disolvente o agua en un recipiente o un paño.

- Apagar el equipo y extraer la clavija de red.

- Desenroscar el depósito y vaciarlo. Sacar el tubo de subida con junta de depósito.

- Tirar el tubo de ventilación (figura 9A-12) arriba del cuerpo de pistola. Desenroscar la tapa de válvula (figura 9A-13) y sacar la membrana (figura 9A-14). Limpiar cuidadosamente todas las partes.

- Desenroscar el anillo boquilla, quitar la tapa de aire y la boquilla. Limpiar con un pincel y disolvente, o agua, la tapa de aire, la junta de boquilla y la boquilla. No es aconsejable limpiar las juntas, la membrana y los orificios de boquillas o taladros de aire de la pistola de pulverización con objetos de metal puntiagudos.

- Limpiar exteriormente la pistola de pulverización con un paño empapado con disolvente o agua.

- Montar de nuevo las partes.

Mantenimiento

Tapa de aire / Boquilla – Retire la tapa de aire y la boquilla de la pistola y sumérgala en disolvente limpio. Séquela con aire comprimido. Si se obstruyen los pequeños orificios, introduzca también la tapa de aire en disolvente. Si fuese necesario escarbar los orificios, use un palillo, una caña o cualquier otro material que no sea muy duro.

No limpie los orificios con cables, clavos ni ningún objeto de dureza similar. Si no sigue estas indicaciones, se podría dañar la tapa de forma permanente, haciendo más grandes los chorros y el resultado de la pulverización podría ser defectuoso.

En el set se incluye un clip de limpieza; este utensilio sirve para limpiar y eliminar los restos de pintura de los orificios más pequeños de la pistola de pintura; Utilice este utensilio si no ha podido eliminar totalmente los restos de pintura siguiendo los pasos de mantenimiento detallados anteriormente.

Almacenamiento

Guarde la pistola de pulverización con un poco de disolvente en la tapa de aire y la boquilla para evitar que la aguja de la pistola se seque o se rompa, lo que conllevaría posibles pérdidas de aire o de líquidos.

MONTAJE

El equipo debe utilizarse únicamente con la membrana intacta (figura 9A-14). Colocar la membrana con la espiga hacia arriba sobre la parte inferior de la válvula. Véase también la marca en el cuerpo de pistola. Poner la tapa de válvula con cuidado y enroscar apretando. Insertar el tubo de ventilación en la tapa de válvula y el racor en el cuerpo de pistola. Colocar correctamente la boquilla para que encaje con las muescas de la pistola (figura 9B).

Insertar la boquilla en el cuerpo de pistola y mediante giro localizar la posición correcta. Calar la tapa de

aire en la boquilla y apretarla con el anillo boquilla. Por fin, introducir la junta de depósito por abajo al tubo de subida y deslizarla hasta la unión. Para ello, girar ligeramente la junta de depósito e insertar el tubo de subida con junta de depósito en el cuerpo de pistola.

SET INCLUYE

- Unidad principal
- Tubo
- Correa de transporte
- Vaso medidor viscosidad
- Pistola de pulverización
- Depósito de pintura
- Clip de limpieza

ESPECIFICACIONES TÉCNICAS

TENSIÓN: 220-240V; 50Hz
 POTENCIA ABSORBIDA: 900W
 CAUDAL: 800 ml/min (spray water)
 CAPACIDAD DEPÓSITO: 800ml
 LONGITUD DEL TUBO FLEXIBLE: 1,5m
 VISCOSIDAD MÁXIMA: 45 DIN-Secs
 VELOCIDAD DEL MOTOR: 36000 r.p.m.
 PESO: 1.9Kg
 Datos sobre ruido: LpA = 82,1 dB(A); LwA = 93,1 dB(A) K = 3
 Datos sobre vibración: 2,180 m/s² K = 1,5

Garantía de calidad:

Este producto queda cubierto por una garantía contra defectos de fabricación sujeta a los plazos de tiempo estipulados por la legislación vigente en cada país.

Esta garantía no cubre los daños resultantes de un uso inadecuado, uso comercial negligente, desgaste anormal, accidentes o manipulación indebida.

ELIMINACIÓN



El símbolo de un contenedor sobre ruedas tachado, indica que Vd. debe informarse y seguir las normativas locales de desecho de este tipo de productos

No se deshaga de este producto de la misma forma que lo haría con los residuos generales de su hogar. Debe hacerlo según las normativas locales correspondientes.

Los productos eléctricos y electrónicos contienen sustancias peligrosas que tienen efectos nefastos sobre el medioambiente o la salud humana y deben ser reciclados adecuadamente.



Este aparato lleva un doble aislamiento; por lo tanto no requiere una toma de tierra. Compruebe siempre que la tensión de la red corresponda con el valor indicado en la placa de datos del equipo.



ADVERTENCIA: Para reducir el riesgo de lesiones, lea atentamente este manual de instrucciones.

Declaración de conformidad

Declaramos, bajo nuestra exclusiva responsabilidad, que esta PISTOLA DE PULVERIZACIÓN de 900 W VBRVACIND0001 cumple las directivas y documentos normalizados siguientes:

Directivas CE 2006/42/CE

Directiva 2006/95/CE de baja tensión (hasta el 19 de abril de 2016)

Directiva 2014/35/UE (a partir del 20 de abril de 2016)

Directiva 2014/30/UE sobre compatibilidad electromagnética

Directiva 2011/65/UE sobre restricciones a la utilización de determinadas sustancias peligrosas en aparatos eléctricos y electrónicos

Asimismo, es conforme a las normas siguientes:

EN 60745-1/A11:2010

EN 50580/A1:2013

EN 55014-1/A2:2011

EN 55014-2/A2:2008

EN 61000-3-2/A2:2009

EN 61000-3-3:2013

CEI 62321:2008

INDUSTEX S. L.

Dirección: Av. Països Catalans, 34, 8.^a planta, 08950 ESPLUGAS DE LLOBREGAT (BARCELONA) ESPAÑA

Fabricado en China

Nous vous remercions d'avoir fait l'acquisition du pistolet de pulvérisation Total Painter®. Avant de commencer à l'utiliser, nous vous invitons à lire attentivement le manuel d'instructions ainsi que toutes les indications de sécurité. Rangez le manuel dans un endroit facile d'accès pour pouvoir le consulter ultérieurement.

NOTE : TRADUCTION DES INSTRUCTIONS ORIGINALES

INDICATIONS GÉNÉRALES DE SÉCURITÉ

Les erreurs dues à la non-observation des instructions suivantes peuvent provoquer une décharge électrique, un incendie ou même des lésions graves. Les substances qui sont utilisées avec ce pistolet de pulvérisation (solvants, peintures, etc.) peuvent contenir des matériaux dangereux, nuisibles, explosifs ou corrosifs.



AVERTISSEMENT. Lisez toutes les instructions et consignes de sécurité. Le non-respect de celles-ci peut provoquer des décharges électriques, des incendies ou des lésions personnelles graves.

Conservez soigneusement toutes les instructions et consignes de sécurité afin de pouvoir les consulter ultérieurement. Dans les consignes, l'expression « outil électrique » désigne aussi bien des outils raccordés au secteur (par câble) que des outils actionnés par batterie (sans fil).

1. Lieu de travail

- **Maintenez votre zone de travail propre et bien éclairée.** Les espaces encombrés ou sombres sont propices aux accidents.

- **N'utilisez pas d'outils électriques dans des milieux présentant un risque d'explosion, en présence de liquides, de gaz ou de poudres inflammables.** Les outils électriques provoquent des étincelles qui peuvent mettre le feu à la poussière ou aux gaz.

- **Assurez-vous pendant la pulvérisation, de l'absence à proximité de sources d'ignition** telles que des feux à flamme nue, des fumées de cigarettes, des étincelles, des fils de fer incandescents et des surfaces chaudes.

- **Pour éviter tout risque d'explosion pendant les travaux de pulvérisation, assurez-vous qu'il existe toujours une bonne aération naturelle ou artificielle.**

- **Recouvrez bien les surfaces qui ne vont pas être pulvérisées.** En effet, le vent peut déplacer le brouillard de peinture sur de grandes distances et provoquer des dommages.

- **Maintenez les enfants et les passants à l'écart pendant que vous utilisez l'outil électrique.** Les distractions peuvent vous faire perdre le contrôle de l'outil.

2. Sécurité électrique

- **Évitez le contact avec des surfaces reliées à la terre** telles que des tuyauteries, des radiateurs et des réfrigérateurs car il existe un risque de décharge électrique si votre corps est en contact avec la terre.

- **La fiche de l'outil électrique doit coïncider avec la prise de courant. La prise originale ne doit en aucun cas être modifiée. Il ne faudra pas non plus utiliser d'adaptateur avec les appareils reliés à la terre.** Les prises originales diminuent le risque de décharge électrique.

- **Évitez le contact physique avec des surfaces mises à la terre comme les conduites, les radiateurs, les poêles et les réfrigérateurs.** Si vous touchez une surface mise à la terre, le risque de recevoir une décharge électrique est plus élevé.

- **N'exposez pas les outils électriques à la pluie ou à l'humidité** car la pénétration d'eau dans n'importe quel appareil électrique élève le risque de décharge électrique.

- **Utilisez le câble uniquement aux fins pour lesquelles il a été destiné. Concrètement, ne l'utilisez pas pour traîner l'outil électrique ni ne tirez sur le câble pour le débrancher.** Maintenez le câble à l'écart des sources de chaleur, de l'huile, des bords coupants et des pièces mobiles. Les câbles endommagés ou emmêlés élèvent le risque de décharge électrique.

- **Lorsque vous utilisez des outils électriques en plein air, utilisez une rallonge pour extérieur.** Vous diminuerez ainsi le risque de recevoir une décharge électrique.

- **Si vous devez utiliser un outil électrique dans un endroit humide, utilisez un interrupteur différentiel** afin de réduire le risque de décharge électrique.

3. Sécurité des personnes

- **Soyez très attentif à ce que vous faites et faites preuve de bon sens lorsque vous travaillez avec des outils électriques. N'utilisez aucun outil électrique si vous êtes fatigué, sous l'influence de drogues, de l'alcool ou de médicaments.** Un seul instant d'inattention pendant l'utilisation de l'appareil peut provoquer des lésions graves.

- **Utilisez une protection respiratoire.** Les brouillards de peinture et les vapeurs de solvants sont nuisibles à la santé.

- **Utilisez un équipement de protection individuelle et portez des lunettes de protection.** L'utilisation d'un équipement de protection (comportant des masques antipoussière, des chaussures de sécurité antidérapantes, un casque et une protection des oreilles) diminue le risque de lésions.

- **Maintenez les enfants et les autres personnes à l'écart de cet appareil pendant l'utilisation** car une simple distraction peut vous faire perdre le contrôle de ce dernier.

- **Évitez que l'outil ne se mette en marche de façon accidentelle. Assurez-vous que l'interrupteur se trouve sur la position « OFF » avant de brancher l'appareil au secteur ou de connecter la batterie, ou lorsque vous rangez ou transportez l'outil.** Si votre doigt se trouve sur l'interrupteur au moment où vous déplacez l'outil électrique ou si vous le branchez alors que l'interrupteur se trouve sur « ON », vous risquez de provoquer des accidents.

- **N'adoptez pas de postures forcées et maintenez en tout moment l'équilibre** car cela vous permettra de mieux contrôler l'appareil dans des situations inattendues.

- **Portez des vêtements appropriés. Ne portez ni vêtements lâches ni bijoux. Maintenez vos cheveux, vos vêtements et vos gants à l'écart des pièces en mouvement** pour éviter que les vêtements lâches, les bijoux et les cheveux longs ne soient attrapés dans les pièces en mouvement de l'outil.

- Ne dirigez pas le jet de peinture vers des personnes ou des animaux.

- Le pistolet Total Painter® ne devra pas être utilisé par des personnes (y compris les enfants) dont la capacité physique, sensorielle ou mentale est limitée ou qui ne disposent pas de l'expérience et/ou des connaissances nécessaires, sauf si elles sont supervisées par une personne responsable de leur sécurité ou si elles reçoivent elles-mêmes les instructions nécessaires à l'utilisation de l'appareil. Les enfants ne doivent pas jouer avec l'appareil.

4. Utilisation et entretien de l'outil électrique

- On se limitera à utiliser les produits recommandés pour la peinture au pistolet.

- **N'utilisez pas l'outil électrique si l'interrupteur ne fonctionne pas correctement.** Les outils électriques qui ne peuvent pas être contrôlés à l'aide de l'interrupteur sont dangereux et doivent être réparés.

- **Débranchez l'outil ou retirez la batterie avant d'effectuer des réglages, de remplacer des accessoires ou de le ranger.** Ces mesures de sécurité préventive réduiront le risque d'allumage accidentel de l'outil.

- **Rangez les outils électriques que vous n'utilisez pas hors de portée des enfants et n'autorisez pas leur utilisation par des personnes qui ne sont pas familiarisées avec ceux-ci ou avec leurs instructions.** Les outils électriques manipulés par des usagers inexpérimentés sont dangereux.

- **Effectuez l'entretien des outils électriques. Vérifiez que les pièces mobiles sont bien réglées et qu'il n'y a pas de pièces cassées ou d'autres circonstances pouvant provoquer un mauvais fonctionnement de l'outil électrique.** Si vous observez le moindre dommage, faites-le réparer avant d'utiliser l'outil. Le manque d'entretien de l'outil est à l'origine de nombreux accidents.

- **Utilisez l'outil électrique, les accessoires, les pièces, etc. en suivant ces instructions et en tenant compte des conditions du lieu de travail et de la tâche à réaliser.** L'utilisation de l'outil électrique à des fins autres que celles pour lesquelles il a été conçu peut être dangereuse.

- Les pistolets de pulvérisation ne doivent pas être nettoyés avec des solvants inflammables dont le point d'inflammation est inférieur à 21 °C.

- Les pistolets de pulvérisation ne doivent pas être utilisés pour pulvériser des substances inflammables.

- Ne pulvérisez jamais des matériaux dont vous ignorez le degré de dangerosité.

- Les bouteilles de pulvérisation ne doivent pas être utilisées dans des bâtiments industriels qui sont visés par le règlement de protection contre les explosions.

- Soyez attentif aux dangers que peut occasionner le produit pulvérisé et respectez les indications des étiquettes des réservoirs ou les instructions du fabricant du produit à pulvériser.

- Veillez à ce que les vapeurs de solvant ne soient pas aspirées par l'appareil. Ne dirigez pas le jet de pulvérisation vers l'appareil !

- Si la peinture remonte le long du tuyau d'air (figure 9A-12), cessez d'utiliser l'appareil. Dans ce cas, vous devrez démonter le tuyau d'air, la vanne (figure 9A-13) et la membrane (figure 9A-14), puis les nettoyer et, si nécessaire, remplacer la membrane.

5. Réparation

- **Confiez la réparation de votre outil électrique uniquement à un personnel technique qualifié qui utilisera toujours des pièces de rechange originales.** C'est la seule façon de garantir la sécurité de l'outil électrique.

LISTE DE PIÈCES

(Voir figure 1)

| | |
|----|--------------------------------|
| 1 | Buse |
| 2 | Anneau de la buse |
| 3 | Corps du pistolet |
| 4 | Gâchette |
| 5 | Vis de réglage du fluide |
| 6 | Tuyau d'air |
| 7 | Vanne |
| 8 | Réservoir de peinture |
| 9 | Tuyau |
| 10 | Sangle de transport |
| 11 | Interrupteur ON/OFF |
| 12 | Prise de courant |
| 13 | Gobelet de mesure de viscosité |

TYPES DE MATÉRIAUX

Utilisez uniquement des matériaux recommandés pour utilisation avec pistolet.

Préparation du matériau de recouvrement

Le pistolet permet de pulvériser des peintures, des

laques et des vernis non dilués ou légèrement dilués. Si la peinture doit être diluée, commencez par une dilution de 10 %. A cet effet, versez la peinture à utiliser dans un récipient d'un litre. Comme le gobelet de mesure de viscosité a une capacité d'un décilitre, fermez l'orifice et versez la quantité de diluant nécessaire, puis ajoutez-le à la peinture et remuez bien. Mesurez la viscosité de la peinture en fonction des informations que vous trouverez ci-dessous. Si la peinture doit être diluée davantage, faites une dilution supplémentaire de 5 % (la moitié de la capacité du gobelet), puis mesurez à nouveau la viscosité. Si la peinture n'a pas encore atteint le point de viscosité recommandé, recommencez l'opération jusqu'à obtenir la viscosité requise.

Ce pistolet peut être utilisé avec des produits ayant une viscosité de 25 à 50 sec-DIN maximum. Plongez le gobelet de mesure de viscosité dans le matériau et remplissez-le. Ensuite, chronométrez le temps que prend le gobelet pour se vider (figure 2). Ce temps est appelé « secondes DIN (sec-DIN) ». Outre ces recommandations, consultez également les instructions du fabricant du matériau afin de déterminer si le matériau doit être dilué davantage.

Recommandations :

| Exemples de matériau | Valeurs indicatives DIN |
|---|--------------------------------|
| Peinture à l'eau et émulsions | 25-50 sec-DIN |
| Émail, laques de couleur avec solvant ou solubles dans l'eau | 45-50 sec-DIN |
| Vernis | non dilués |
| Apprêts | 45-50 sec-DIN |
| Agents d'imprégnation pour bois, colorants, huiles, désinfectants, produits phytosanitaires | non dilués |

Suivez ces instructions uniquement si le matériau que vous souhaitez utiliser n'est pas accompagné d'un mode d'emploi. Dans le cas contraire, suivez les instructions fournies avec le matériau.

MISE EN SERVICE

Avant de brancher l'appareil au réseau électrique, vérifiez que la tension d'alimentation correspond à celle indiquée sur l'étiquette des caractéristiques techniques du pistolet Total Painter®.

- Commencez par installer la sangle de transport sur l'appareil
- Dévissez le réservoir du pistolet de pulvérisation.

- Alignez le tuyau de montée (figure 3). Lorsque ce dernier est placé correctement, le contenu du réservoir peut être pulvérisé dans sa quasi-totalité. Pour peindre des surfaces horizontales, tournez le tuyau de montée vers l'avant (figure 3A). Pour pulvériser des surfaces situées au-dessus de votre tête, tournez le tuyau de montée vers l'arrière (figure 3B).

- Placez le réservoir sur un support en papier et remplissez-le avec le matériau de pulvérisation.

- Montez le tuyau d'air flexible sur le raccord de l'appareil et du manche du pistolet (figure 4).

- Le tuyau d'air flexible doit être raccordé à pression au pistolet ; assurez-vous qu'il est bien fixé ; il n'est pas nécessaire que le tuyau entre à fond, il suffit qu'il soit bien fixé.

- Posez l'appareil sur une surface lisse et propre pour éviter qu'il n'aspire de la poussière, etc.

- Accrochez l'appareil au moyen de la sangle de transport.

- Dirigez le pistolet vers l'objet à pulvériser.

- On recommande de faire un essai de pulvérisation sur un carton ou sur un fond semblable à celui que vous souhaitez pulvériser. Cela vous permettra de déterminer la quantité de matériau nécessaire et la projection de la pulvérisation.

- Placez l'interrupteur sur la position « ON » et commencez à utiliser le pistolet.

Sélection de la projection de la pulvérisation

Il existe trois types différents de jet de pulvérisation :

1. Jet en éventail vertical, pour surfaces horizontales (figure 5A)
2. Jet en éventail horizontal, pour surfaces verticales (figure 5B)
3. Jet rond pour les angles et les surfaces difficiles d'accès (figure 5C)

Réglage de la projection de la pulvérisation

Dévissez légèrement l'anneau de la buse, puis tournez le couvercle d'air sur la position de pulvérisation souhaitée (figure 6). Resserrez l'anneau de la buse. N'appuyez jamais sur la gâchette du pistolet pendant que vous réglez le couvercle d'air.

Réglage de la quantité de matériau

Pour régler la quantité de matériau, tournez le bouton situé sur la gâchette du pistolet :

- vers la gauche pour réduire la quantité de matériau
- vers la droite pour augmenter la quantité de matériau (figure 7)

Techniques de pulvérisation

- Pour obtenir un bon résultat, il est fondamental que la surface à pulvériser soit parfaitement propre et lisse avant de pulvériser. Il est conseillé d'appliquer au préalable un traitement adéquat à cette surface.

- Recouvrez toutes les surfaces que vous ne voulez pas pulvériser, y compris les parties filetées et les vis.

- Pour déterminer le réglage adéquat du pistolet, faites un essai de pulvérisation sur un carton ou sur un

fond semblable à celui que vous souhaitez pulvériser avant de commencer à travailler. Il est également recommandé de commencer à pulvériser à l'extérieur de la surface de travail et d'éviter toute interruption pendant la pulvérisation de cette surface.

- Pour déplacer le pistolet, réalisez le mouvement avec votre bras et non avec votre poignet de sorte que la distance entre le pistolet et la surface soit toujours la même. La distance entre le pistolet et la surface doit être de 5 à 15 cm en fonction de la largeur du jet de pulvérisation souhaitée. La figure 8A représente la position correcte dans laquelle la distance par rapport à la surface est uniforme ; par contre, la figure 8B représente une position incorrecte car la distance inégale entraînera une pulvérisation irrégulière.

- Dirigez le pistolet de pulvérisation de façon uniforme dans le sens transversal, vers le bas ou vers le haut, en fonction du réglage de la projection de la pulvérisation.

- Un déplacement uniforme du pistolet de pulvérisation permettra d'obtenir une surface de qualité uniforme.

- Si le matériau de recouvrement s'accumule dans la buse et dans le couvercle d'air, nettoyez ces pièces avec du solvant ou de l'eau.

INTERRUPTION DE SERVICE

Si vous devez interrompre l'utilisation de l'appareil pendant une durée inférieure à 4 heures, procédez comme suit :

- Éteignez l'appareil.

- Si vous utilisez des laques à deux composants, nettoyez immédiatement l'appareil.

MISE HORS SERVICE

Pour que l'appareil fonctionne correctement, il est essentiel de bien le nettoyer. Nous vous recommandons de suivre les instructions suivantes :

- Débranchez la fiche de connexion au réseau. En cas de pause prolongée et lorsque vous avez terminé de travailler, purgez l'air des réservoirs. Pour ce faire, ouvrez le réservoir pendant un instant et refermez-le ou appuyez sur la gâchette du pistolet et videz la peinture dans son pot d'origine.

- Démontez le pistolet.

- Dévissez le réservoir et videz le reste de matériau de recouvrement dans son pot.

- Nettoyez le réservoir et le tuyau de montée avec un pinceau.

- Remplissez le réservoir de solvant ou d'eau, puis revissez-le. Seuls les solvants possédant un point d'inflammation supérieur à 21 °C peuvent être utilisés.

- Remontez le pistolet (figure 9).

- Branchez la prise, allumez l'appareil et pulvériser le solvant ou l'eau dans un récipient ou sur un chiffon.

- Éteignez l'appareil et débranchez la prise.

- Dévissez le réservoir et videz-le. Retirez le tuyau de montée avec le joint du réservoir.

- Tirez sur le tuyau d'air (figure 9A-12) au-dessus du corps du pistolet. Dévissez le couvercle de la vanne

(figure 9A-13) et retirez la membrane (figure 9A-14). Nettoyez soigneusement toutes les pièces.

- Dévissez l'anneau de la buse, puis retirez le cache d'air et la buse. Nettoyez le couvercle d'air, le joint de la buse et la buse avec un pinceau et du solvant ou de l'eau. Il n'est pas recommandé de nettoyer les joints, la membrane et les orifices des buses et d'air du pistolet de pulvérisation avec des objets métalliques pointus.

- Nettoyez l'extérieur du pistolet de pulvérisation avec un chiffon trempé dans du solvant ou dans l'eau.

- Remontez les pièces.

Entretien

Couvercle d'air / Buse – Retirez le couvercle d'air et la buse du pistolet et plongez cette dernière dans du solvant propre, puis séchez-la avec de l'air comprimé. Si les petits orifices sont bouchés, plongez également le couvercle d'air dans du solvant. Si c'est nécessaire, grattez les orifices au moyen d'un bâtonnet, d'une tige ou de tout autre objet pas trop dur.

Ne nettoyez pas les orifices avec des câbles, des clous ou d'autres objets de ce type de dureté. Si vous ne respectez pas ces indications, vous risquez d'endommager le couvercle de façon irréversible et d'élargir les orifices du jet, ce qui provoquera une pulvérisation défectueuse. Le kit comprend un clip de nettoyage ; cet ustensile sert à nettoyer et à éliminer les restes de peinture dans les orifices de petite dimension du pistolet de peinture. Utilisez cet ustensile si vous n'avez pas pu éliminer complètement les restes de peinture en suivant les instructions de maintenance indiquées plus haut.

Rangement

Lorsque vous rangez le pistolet de pulvérisation, mettez une petite quantité de solvant dans le couvercle d'air et dans la buse pour éviter que l'aiguille du pistolet ne sèche ou ne se casse, ce qui pourrait entraîner la perte d'air ou de liquide.

MONTAGE

L'appareil doit être uniquement utilisé lorsque la membrane est intacte (figure 9A-14). Placez la membrane, dont la cheville doit être dirigée vers le haut, sur la partie inférieure de la vanne (cherchez la marque sur le corps du pistolet). Remettez soigneusement en place le couvercle de la vanne et vissez-le en appuyant. Insérez le tuyau d'air dans le couvercle de la vanne et le raccord dans le corps du pistolet. Placez correctement la buse afin qu'elle s'emboîte dans les encoches du pistolet (figure 9B).

Insérez la buse dans le corps du pistolet et tournez-la jusqu'à trouver la position correcte. Emboîtez le couvercle d'air sur la buse et serrez son anneau.

Pour terminer, introduisez le joint du réservoir par le bas du tuyau de montée et faites-le glisser jusqu'au niveau de l'union. Pour ce faire, tournez légèrement le joint du réservoir et insérez le tuyau de montée avec le joint du réservoir dans le corps du pistolet.

LE KIT COMPREND

- Unité principale
- Tuyau
- Sangle de transport
- Gobelet de mesure de viscosité
- Pistolet de pulvérisation
- Réservoir de peinture
- Clip de nettoyage

CARACTÉRISTIQUES TECHNIQUES

TENSION : 220-240 V ; 50 Hz
 PUISSANCE ABSORBÉE : 900 W
 DÉBIT : 800 ml/min (eau d'aspersion)
 CAPACITÉ DU RÉSERVOIR : 800 ml
 LONGUEUR DU TUYAU FLEXIBLE : 1,5 m
 VISCOSITÉ MAXIMALE : 45 DIN-sec
 VITESSE DU MOTEUR : 36 000 tr/min
 POIDS : 1,9 kg
 Données de bruit : LpA = 82,1 dB(A) ; LwA = 93,1 dB(A) K = 3
 Données de vibration : 2,180 m/s² K = 1,5

Garantie de qualité :

Ce produit est couvert par une garantie contre les défauts de fabrication, dont la durée dépend de la législation en vigueur dans chaque pays.

Cette garantie ne couvre pas les dommages résultant d'une utilisation inappropriée, d'une négligence de la part du commerçant, d'une usure anormale, d'accidents ou d'une mauvaise manipulation.

ÉLIMINATION

Le symbole de la poubelle sur roues barrée d'une croix indique que vous devez vous renseigner et suivre la réglementation locale en vigueur en matière d'élimination des déchets pour ce type de produits.

Ne vous débarrassez pas de cet appareil en le jetant avec vos déchets ménagers. Vous devez le faire conformément à la réglementation locale en vigueur en matière de collecte de déchets.

Les produits électriques et électroniques contiennent des substances dangereuses qui ont des effets néfastes sur l'environnement ou sur la santé humaine et doivent être recyclés correctement.



Cet appareil est protégé par une isolation double ; il ne nécessite donc aucun raccordement à la prise de terre. Vérifiez toujours que la tension de secteur corresponde à la valeur indiquée sur la fiche signalétique de l'appareil.



AVERTISSEMENT : lisez attentivement ce manuel d'instructions afin de réduire le risque de lésions.

Déclaration de conformité

Nous déclarons, sous notre seule responsabilité, que ce PISTOLET DE PULVÉRIATION de 900 W VBRVACIND0001 est conforme aux directives et aux documents norma-

lisés suivants :

Directives CE 2006/42/CE
 Directive 2006/95/CE Basse tension (jusqu'au 19 avril 2016)
 Directive 2014/35/UE (à partir du 20 avril 2016)
 Directive 2014/30/UE relative à la compatibilité électromagnétique
 Directive 2011/65/UE relative à la limitation de l'utilisation de certaines substances dangereuses dans les équipements électriques et électroniques

Il est également conforme aux normes suivantes :

EN 60745-1/A11:2010
 EN 50580/A1:2013
 EN 55014-1/A2:2011
 EN 55014-2/A2:2008
 EN 61000-3-2/A2:2009
 EN 61000-3-3:2013
 CEI 62321:2008

INDUSTEX, S. L.

Adresse : Av. Països Catalans, 34, 8.ª planta, 08950 ESPLUGAS DE LLOBREGAT (BARCELONE) ESPAGNE

Fabriqué en Chine

Vielen Dank für den Erwerb der Spritzpistole Total Painter®. Lesen Sie bitte vor Gebrauch der Spritzpistole aufmerksam die Gebrauchsanweisung sowie alle Sicherheitshinweise durch. Bewahren Sie die Anleitung für späteres Nachlesen an einem gut zugänglichen Ort auf.

ALLGEMEINE SICHERHEITSHINWEISE

Aufgrund der Nichtbeachtung der folgenden Anweisungen begangene Fehler können zu Stromschlägen, Feuer oder sogar schweren Verletzungen führen. Die mit dieser Spritzpistole verwendeten Stoffe (Lösungsmittel, Farben usw.) können gefährliche, schädliche, explosive oder korrosive Materialien enthalten.



WARNUNG! Lesen Sie alle Anweisungen und Sicherheitshinweise durch. Eine Nichtbeachtung kann elektrische Entladungen, Brände oder schwere Personenschäden verursachen.

Bewahren Sie alle Sicherheitshinweise und Anweisungen für die Zukunft auf. Der in den Sicherheitshinweisen verwendete Begriff „Elektrowerkzeug“ bezieht sich auf netzbetriebene Elektrowerkzeuge (mit Netzkabel) und auf akkubetriebene Elektrowerkzeuge (ohne Netzkabel).

1. Arbeitsplatz

- **Halten Sie Ihren Arbeitsbereich sauber und gut beleuchtet.** Unordnung oder unbeleuchtete Arbeitsbereiche können zu Unfällen führen.

- **Arbeiten Sie mit dem Elektrowerkzeug nicht in explosionsgefährdeter Umgebung, in der sich brennbare Flüssigkeiten, Gase oder Stäube befinden.** Elektrowerkzeuge erzeugen Funken, die den Staub oder die Dämpfe entzünden können.

- **Versichern Sie sich, dass beim Sprühen in der Umgebung keine Zündquellen wie Feuer mit offener Flamme, Zigarettenrauch, Funken, Glühdrähte und warme Oberflächen vorhanden sind.**

- **Stellen Sie zur Vermeidung der Explosionsgefahr beim Arbeiten mit der Spritzpistole immer sicher, dass eine gute natürliche oder künstliche Lüftung vorhanden ist.**

- **Decken Sie Oberflächen, die nicht besprüht werden, gut ab.** Denken Sie daran, dass der Farbnebel durch den Wind über größere Entfernungen transportiert werden kann und somit Schäden verursacht werden können.

- **Halten Sie Kinder und andere Personen während der Benutzung des Elektrowerkzeugs fern.** Bei Ablenkung können Sie die Kontrolle über das Gerät verlieren.

2. Elektrische Sicherheit

- **Vermeiden Sie den Kontakt mit geerdeten Oberflächen wie Rohrleitungen, Heizgeräten und Kühlschränken, da bei Erdkontakt Ihres Körpers ein Stromschlagrisiko besteht.**

- **Der Anschlussstecker des Elektrowerkzeugs muss in die Steckdose passen. Der Stecker darf**

in keiner Weise verändert werden. Verwenden Sie keine Adapterstecker gemeinsam mit schutzgeerdeten Elektrowerkzeugen. Unveränderte Stecker verringern das Risiko eines elektrischen Schlages.

- **Vermeiden Sie Körperkontakt mit geerdeten Oberflächen wie von Rohren, Heizungen, Herden und Kühlschränken.** Es besteht ein erhöhtes Risiko durch elektrischen Schlag, wenn Ihr Körper geerdet ist.

- **Halten Sie Elektrowerkzeuge von Regen oder Nässe fern,** da das Eindringen von Wasser in ein Elektrowerkzeug das Risiko eines elektrischen Schlages erhöht.

- **Zweckfremden Sie das Kabel nicht, um das Elektrowerkzeug zu tragen, aufzuhängen oder um den Stecker aus der Steckdose zu ziehen.** Halten Sie das Kabel fern von Hitze, Öl, scharfen Kanten oder sich bewegenden Teilen. Beschädigte oder verwickelte Kabel erhöhen das Risiko eines elektrischen Schlages.

- **Wenn Sie mit einem Elektrowerkzeug im Freien arbeiten, verwenden Sie nur Verlängerungskabel, die auch für den Außenbereich geeignet sind.** So verringern Sie das Risiko eines elektrischen Schlages.

- **Wenn der Betrieb des Elektrowerkzeuges in feuchter Umgebung nicht vermeidbar ist, verwenden Sie einen Fehlerstromschutzschalter, um das Risiko eines elektrischen Schlages zu vermindern.**

3. Personensicherheit

- **Seien Sie aufmerksam, achten Sie darauf, was Sie tun, und gehen Sie mit Vernunft an die Arbeit mit einem Elektrowerkzeug.** Benutzen Sie kein Elektrowerkzeug, wenn Sie müde sind oder unter dem Einfluss von Drogen, Alkohol oder Medikamenten stehen. Ein Moment der Unachtsamkeit beim Gebrauch des Elektrowerkzeuges kann zu ernsthaften Verletzungen führen.

- **Verwenden Sie einen Atemschutz.** Farbnebel und Lösungsmitteldämpfe sind gesundheitsschädigend.

- **Tragen Sie persönliche Schutzausrüstung und immer eine Schutzbrille.** Das Tragen persönlicher Schutzausrüstung, wie Staubmaske, rutschfeste Sicherheitsschuhe, Schutzhelm oder Gehörschutz, je nach Art und Einsatz des Elektrowerkzeuges, verringert das Risiko von Verletzungen.

- **Während des Gebrauchs Kinder und andere Personen von diesem Gerät fernhalten, da Sie die Kontrolle über das Gerät verlieren könnten, wenn Sie abgelenkt werden.**

- **Vermeiden Sie eine unbeabsichtigte Inbetriebnahme.** Vergewissern Sie sich, dass das Elektrowerkzeug ausgeschaltet ist (Position „OFF“), bevor Sie es an die Stromversorgung und/oder den Akku anschließen, es aufnehmen oder tragen. Wenn Sie beim Tragen des Elektrowerkzeuges den Finger am Schalter haben oder das Gerät eingeschaltet an die Stromversorgung anschließen (Position „ON“), kann dies zu Unfällen führen.

- **Vermeiden Sie eine abnormale Körperhaltung**

und halten Sie jederzeit das Gleichgewicht. Dadurch können Sie das Elektrowerkzeug in unerwarteten Situationen kontrollieren.

- **Tragen Sie geeignete Kleidung. Tragen Sie keine weite Kleidung oder Schmuck. Hatten Sie Haare, Kleidung und Handschuhe fern von sich bewegenden Teilen.** Lockere Kleidung, Schmuck oder lange Haare können von sich bewegenden Teilen erfasst werden.

- Richten Sie den Farbstrahl nicht auf Personen oder Tiere.

- Total Painter® darf von Personen (einschließlich Kindern) mit eingeschränkten körperlichen, sensorischen oder geistigen Fähigkeiten oder Personen, die nicht über die entsprechende Erfahrung und/oder die entsprechenden Kenntnisse verfügen, nicht verwendet werden, es sei denn, sie werden von einer für ihre Sicherheit verantwortlichen Person überwacht oder erhalten von solchen Personen die nötigen Anweisungen für die Nutzung des Geräts. Kinder dürfen nicht mit dem Produkt spielen.

4. Gebrauch und Pflege des Elektrowerkzeuges

- Es dürfen nur für Malerarbeiten mit Pistole empfohlene Materialien verarbeitet werden.

- **Benutzen Sie kein Elektrowerkzeug, dessen Schalter defekt ist.** Ein Elektrowerkzeug, das sich nicht mehr ein- oder ausschalten lässt, ist gefährlich und muss repariert werden.

- **Ziehen Sie den Stecker aus der Steckdose, bevor Sie Geräteeinstellungen vornehmen, Zubehörteile wechseln oder das Gerät weglegen.** Diese Vorsichtsmaßnahme verhindert den unbeabsichtigten Start des Elektrowerkzeuges.

- **Bewahren Sie unbenutzte Elektrowerkzeuge außerhalb der Reichweite von Kindern auf und lassen Sie Personen das Gerät nicht benutzen, die mit diesem nicht vertraut sind oder diese Anweisungen nicht gelesen haben.** Elektrowerkzeuge sind gefährlich, wenn Sie von unerfahrenen Personen benutzt werden.

- **Pflegen Sie Elektrowerkzeuge mit Sorgfalt. Kontrollieren Sie, ob bewegliche Teile einwandfrei funktionieren und nicht klemmen, ob Teile gebrochen oder so beschädigt sind, dass die Funktion des Elektrowerkzeuges beeinträchtigt ist. Lassen Sie beschädigte Teile vor dem Einsatz des Gerätes reparieren.** Viele Unfälle haben ihre Ursache in schlecht gewarteten Elektrowerkzeugen.

- **Verwenden Sie Elektrowerkzeug, Zubehör, Einsatzwerkzeuge usw. entsprechend diesen Anweisungen. Berücksichtigen Sie dabei die Arbeitsbedingungen und die auszuführende Tätigkeit.** Der Gebrauch von Elektrowerkzeugen für andere als die vorgesehenen Anwendungen kann zu gefährlichen Situationen führen.

- Spritzpistolen dürfen nicht mit entzündlichen Lösungsmitteln gereinigt werden, die einen Flammpunkt von unter 21 °C haben.

- Spritzpistolen dürfen nicht zum Spritzen entzündlicher Stoffe verwendet werden.

- Spritzen Sie nie Materialien, deren Gefährlichkeitsgrad nicht bekannt ist.

- Spritzflaschen dürfen nicht in gewerblichen Räumen verwendet werden, die unter die Verordnung zum Explosionsschutz fallen.

- Achten Sie auf Gefahren, die durch das zerstäubte Material entstehen können und beachten Sie außerdem die Anweisungen auf den Schildern der Behälter oder die Herstellerhinweise für das zerstäubbare Material.

- Achten Sie auf die Lösungsmitteldämpfe, damit Sie nicht vom Gerät aufgesaugt werden. Richten Sie den Spritzstrahl niemals auf das Gerät!

- Steigt die Farbe in das Lüftungsrohr (Abbildung 9A-12), verwenden Sie das Gerät nicht weiter. In diesem Fall müssen Sie das Lüftungsrohr, das Ventil (Abbildung 9A-13) und die Membran (Abbildung 9A-14) abmontieren, reinigen und wenn nötig die Membran ersetzen.

- Total Painter® verfügt über eine Thermo-Sicherung, die das Gerät bei Überhitzung abschaltet. Löst die Sicherung aus, das Gerät ausschalten, vom Netz trennen und mindestens 30 Minuten abkühlen lassen. Um die Ursache der Überhitzung zu beseitigen, überprüfen Sie zum Beispiel, ob der Schlauch geknickt ist, ob der Luftfilter schmutzig ist oder ob die Luftzirkulationsschlitze verstopft sind.

5. Service

Lassen Sie Ihr Elektrowerkzeug nur von qualifiziertem Fachpersonal und nur mit Original-Ersatzteilen reparieren. Damit wird sichergestellt, dass die Sicherheit des Elektrowerkzeuges erhalten bleibt.

DETAILS ZU DEN TEILEN

(Siehe Abbildung 1)

| | |
|----|------------------------------|
| 1 | Düse |
| 2 | Düsenring |
| 3 | Pistolenkörper |
| 4 | Abzug |
| 5 | Flüssigkeitsregulierschraube |
| 6 | Luftrohr |
| 7 | Ventil |
| 8 | Farbbehälter |
| 9 | Schlauch |
| 10 | Tragegurt |
| 11 | ON/OFF-Schalter |

| | |
|----|------------------|
| 12 | Stecker |
| 13 | Viskositätsgefäß |

MATERIALARTEN

Verwenden Sie nur für den Gebrauch mit der Pistole empfohlenes Material.

Vorbereitung des Beschichtungsmaterials

Mit Total Painter® können unverdünnte oder leicht verdünnte Farben und Lacke gespritzt werden.

Muss die Farbe verdünnt werden, beginnen Sie mit einer Verdünnung der Farbe um 10 %. Füllen Sie hierfür einen Einliterbehälter mit der Farbe, die Sie verwenden möchten. Beachten Sie, dass das Viskositätsgefäß Fassungsvermögen für einen Deziliter hat, decken Sie also das Loch ab und füllen Sie das Gefäß mit dem nötigen Lösungsmittel. Fügen Sie es zur Farbe hinzu und rühren Sie gut um. Messen Sie dann die Viskosität gemäß den nachfolgenden empfohlenen Informationen. Muss die Farbe noch stärker verdünnt werden, verdünnen Sie sie um weitere 5 % (die Hälfte des Fassungsvermögens des Gefäßes) und messen Sie die Viskosität. Hat die Farbe noch immer nicht die empfohlene Viskosität, wiederholen Sie den letzten Schritt so oft, bis Sie die gewünschte Viskosität erreicht haben.

Diese Pistole kann mit Produkten mit einem Viskositätsindex von 25 DIN-sec bis höchstens 50 DIN-sec verwendet werden. Tauchen Sie das Viskositätsgefäß in das Material und füllen Sie es. Stoppen Sie dann die Zeit, die vergeht, bis sich das Gefäß entleert hat (Abbildung 2). Diese Zeit wird DIN-Sekunden (DIN-sec) genannt. Neben diesen Empfehlungen müssen Sie als Richtschnur, um zu bestimmen, ob das Material stärker verdünnt werden muss, auch die Anweisungen des Materialherstellers zu Rate ziehen.

Empfehlungen:

| Materialbeispiele | DIN - Orientierungswerte |
|---|--------------------------|
| Wasserfarben und Emulsionen | 25-50 DIN-sec |
| Emaillacke, Farblacke mit Lösungsmittel oder wasserlösliche Farblacke | 45-50 DIN-sec |
| Lacke | unverdünnt |
| Grundierungen | 45-50 DIN-sec |
| Holzschutzmittel, Färbemittel, Öle, Desinfektionsmittel, Pflanzenschutzmittel | unverdünnt |

Verwenden Sie die mit dieser Anleitung zur Verfügung gestellten Anweisungen nur, wenn dem Material, das Sie verwenden möchten, keine Gebrauchsanweisung beiliegt. Befolgen Sie sonst die mit dem Material gelieferten Anweisungen.

INBETRIEBNAHME

Bevor Sie das Gerät ans Netz anschließen, versichern Sie sich, dass die Netzspannung mit den Angaben auf dem Typenschild von Total Painter® übereinstimmt.

- Beginnen Sie mit dem Anbringen des Tragegurts am Gerät.
- Den Farbbehälter von der Farbspritzpistole abschrauben.
- Richten Sie das Steigrohr richtig aus (Abbildung 3). Ist das Steigrohr in der richtigen Position, kann der Inhalt des Farbgefäßes fast restlos versprüht werden. Für Arbeiten an horizontalen Flächen muss das Steigrohr nach vorne gedreht werden (Abbildung 3A). Für Farbspritzarbeiten an über dem Kopf befindlichen Gegenständen muss das Steigrohr nach hinten gedreht werden (Abbildung 3B).
- Den Farbbehälter auf eine Papierunterlage stellen und mit dem zu spritzenden Material füllen.
- Den Luftschlauch am Anschluss des Geräts und des Griffs der Pistole montieren (Abbildung 4).
- Der Luftschlauch muss an der Druckpistole angeschlossen werden. Versichern Sie sich, dass der Schlauch richtig fest sitzt. Es ist nicht notwendig, dass der Schlauch ganz hineingesteckt wird, es reicht, dass er richtig fest sitzt.
- Das Gerät auf eine glatte, saubere Oberfläche stellen, da sonst Staub usw. aufgesaugt werden könnte.
- Das Gerät mit dem Tragegurt umhängen.
- Die Pistole auf den zu spritzenden Gegenstand richten.
- Es wird empfohlen, eine Spritzprobe auf Karton oder einem Untergrund, der dem, der gespritzt werden soll, ähnlich ist, durchzuführen. So können Sie die Materialmenge und die Spritzprojektion bestimmen.
- Betätigen Sie den „ON/OFF“-Knopf und beginnen Sie die Arbeit mit Total Painter®.

Wahl der Projektion beim Spritzen

Es gibt drei verschiedene Spritzstrahlformen:

1. vertikaler Fächerstrahl, für horizontale Flächen geeignet (Abbildung 5A)
2. horizontaler Fächerstrahl, für vertikale Flächen geeignet (Abbildung 5B)
3. runder Strahl, für Ecken und schwer zugängliche Flächen geeignet (Abbildung 5C)

Einstellung der Projektion beim Spritzen

Drehen Sie mit etwas gelockertem Düsenring den Luftverschluss in die gewünschte Spritzprojektionsposition (Abbildung 6). Ziehen Sie dann den Düsenring wieder an.

Betätigen Sie niemals den Abzug, während der Luftverschluss eingestellt wird.

Einstellung der Materialmenge

Um die Materialmenge einzustellen, drehen Sie das Regulierelement am Abzug der Pistole:
 - für weniger Materialmenge nach links drehen
 - für mehr Materialmenge nach rechts drehen (Abbildung 7)

Spritztechniken

- Um ein gutes Ergebnis sicherzustellen, ist es wesentlich, dass die Oberfläche ganz sauber und glatt ist, bevor Sie spritzen. Es wird empfohlen, die Oberfläche sorgfältig vorzubehandeln.
- Alle Oberflächen, einschließlich Gewinde und Schrauben, die Sie nicht besprühen möchten, abdecken.
- Führen Sie eine Spritzprobe auf einem Karton oder einem ähnlichen Untergrund durch, bevor Sie anfangen, das Produkt zu verwenden. So können Sie die passende Einstellung der Pistole mit größerer Sicherheit bestimmen. Außerdem wird empfohlen, mit dem Spritzen außerhalb der Oberfläche zu beginnen und Unterbrechungen innerhalb der zu spritzenden Oberfläche stets zu vermeiden.
- Die Bewegung beim Spritzen soll nicht aus dem Handgelenk sondern aus dem Arm erfolgen, denn so wird immer die gleiche Entfernung zwischen Pistole und Oberfläche sichergestellt. Wählen Sie einen Abstand von 5 -15 cm, je nach gewünschter Breite des Spritzstrahls. Die Abbildung 8A zeigt die richtige Position, bei der der Abstand zum Gegenstand einheitlich ist; die Abbildung 8B hingegen zeigt die falsche Position, denn der ungleiche Abstand führt zu einer unregelmäßigen Lackierung.
- Führen Sie die Spritzpistole gleichmäßig quergerichtet oder nach oben und unten, je nach Einstellung der Spritzprojektion.
- Gleichmäßiges Führen der Spritzpistole ergibt eine Oberfläche mit einheitlicher Qualität.
- Sammelt sich das Beschichtungsmaterial in der Düse und am Luftverschluss an, beide Teile mit Lösungsmittel oder Wasser reinigen.

BETRIEBSUNTERBRECHUNG

Müssen Sie den Betrieb des Gerätes für einen Zeitraum von weniger als 4 Stunden unterbrechen:
 - Gerät ausschalten.
 - Bei der Verarbeitung von Zweikomponentenlacken muss das Gerät sofort gereinigt werden.

AUSSERBETRIEBSETZUNG

Damit das Gerät richtig funktioniert, ist eine angemessene Reinigung von wesentlicher Bedeutung. Wir empfehlen:
 - Den Netzstecker ziehen. Während längerer Pausen und nach Abschluss der Arbeit, die Behälter entlüften. Öffnen Sie dazu den Farbbehälter kurz und schließen Sie ihn wieder oder entleeren Sie die Farbe mit getägtem Abzug in die Originalverpackung.
 - Die Pistole abmontieren.
 - Den Behälter losschrauben. Restliches Beschichtungsmaterial wieder in die Verpackung entleeren.

- Farbbehälter und Steigrohr mit einem Pinsel säubern.
- Lösungsmittel oder Wasser in den Behälter füllen und letzteren festschrauben. Es können nur Lösungsmittel mit einem Flammpunkt über 21 °C verarbeitet werden.
- Die Pistole wieder montieren (Abbildung 9).
- Den Netzstecker ans Netz anschließen, das Gerät einschalten und Lösungsmittel oder Wasser in einen Behälter oder auf ein Tuch sprühen.
- Das Gerät ausstellen und den Netzstecker ziehen.
- Den Farbbehälter losschrauben und entleeren. Das Steigrohr mit der Behälterdichtung herausnehmen.
- Das Luftrohr (Abbildung 9A-12) über den Pistolenkörper ziehen. Den Ventildeckel (Abbildung 9A-13) abschrauben und die Membran (Abbildung 9A-14) abnehmen. Alle Teile sorgfältig reinigen.
- Den Düsenring losschrauben, Luftverschluss und Düse entfernen. Luftverschluss, Düsendichtung und Düse mit einem Pinsel und Lösungsmittel oder Wasser reinigen. Es ist nicht ratsam, die Dichtungen, die Membran und die Löcher der Düsen oder die Luftbohrer der Spritzpistole mit spitzen Metallgegenständen zu reinigen.
- Die Spritzpistole außen mit einem mit Lösungsmittel oder Wasser durchtränkten Tuch reinigen.
- Die Teile wieder zusammenbauen.

Wartung

Luftverschluss / Düse – Den Luftverschluss und die Düse von der Pistole abnehmen und letztere in sauberes Lösungsmittel tauchen. Mit Pressluft trocknen. Sind die kleinen Löcher verstopft, legen Sie auch den Luftverschluss in das Lösungsmittel. Sollte es notwendig sein, die Löcher auszureiben, verwenden Sie einen Zahnstocher, einen Halm oder ein anderes nicht sehr hartes Material.
 Säubern Sie die Löcher nicht mit Kabeln, Nägeln oder ähnlich harten Gegenständen. Wenn Sie diese Anweisungen nicht befolgen, könnte der Verschluss dauerhaft beschädigt werden, wodurch der Strahl größer und das Farbspritzresultat fehlerhaft werden könnte. Zum Lieferumfang gehört ein Reinigungsclip. Dieses Utensil dient zum Reinigen und Entfernen von Farbresten aus den kleinsten Löchern der Farbspritzpistole. Verwenden Sie den Clip, wenn Sie die Farbreste mit den oben unter Wartung beschriebenen Schritten nicht ganz entfernen konnten.

Lagerung

Bewahren Sie die Spritzpistole mit ein wenig Lösungsmittel im Luftverschluss und der Düse auf, um zu vermeiden, dass die Nadel der Pistole austrocknet oder kaputt geht, was zu Austreten von Luft oder Auslaufen von Flüssigkeiten führen könnte.

ZUSAMMENBAU

Das Gerät darf nur mit intakter Membran (Abbildung 9A -14) verwendet werden. Die Membran mit dem Zapfen nach oben auf dem unteren Teil des Ventils

platzieren. Siehe auch die Markierung am Pistolenkörper. Den Ventildeckel vorsichtig platzieren und festschrauben. Das Luftrohr in den Ventildeckel stecken und das Verbindungsstück in den Pistolenkörper. Die Düse richtig platzieren, damit sie in die Kerben der Pistole passt (Abbildung 9B).

Die Düse in den Pistolenkörper einsetzen und mittels Drehung die richtige Position finden. Den Luftverschluss in die Düse hineindrücken und mit dem Düsenring festziehen.

Schließlich die Farbbehälterdichtung von unten auf das Steigrohr stecken und bis zum Verbindungsteil schieben. Dazu die Behälterdichtung etwas drehen und das Steigrohr samt Farbbehälterdichtung in den Pistolenkörper einsetzen.



LIEFERUMFANG

- Hauptgerät
- Schlauch
- Tragegurt
- Viskositätsmessbecher
- Spritzpistole
- Farbbehälter
- Reinigungsclip

TECHNISCHE DATEN

SPANNUNG: 220 - 240 V; 50 Hz
 LEISTUNGS-AUFNAHME: 900 W
 FÖRDERMENGE: 800 ml/min (Spritzwasser)
 FASSUNGSVERMÖGEN FARBBEHÄLTER: 800 ml
 SCHLAUCHLÄNGE: 1,5 m
 MAXIMALE VISKOSITÄT: 45 DIN-Sec
 MOTORGESCHWINDIGKEIT: 36000 U/min
 GEWICHT: 1,9 kg
 Geräuschpegel: L_{pA} = 82,1 dB(A); L_{wA} = 93,1 dB(A)
 K = 3
 Schwingungswerte: 2,180 m/s² K = 1,5


ENTSORGUNG

 Das Symbol eines auf Rollen stehenden Containers, der durchgestrichen ist, bedeutet, dass Sie sich über die geltenden Bestimmungen zur  örtlichen Entsorgung dieser Art von Produkten informieren müssen.

Entsorgen Sie dieses Produkt nicht mit Ihrem Hausmüll.

Sie müssen bei der Entsorgung die vor Ort geltenden Bestimmungen beachten.

Elektrische und elektronische Produkte enthalten gefährliche Substanzen, die eine äußerst schädliche Wirkung auf die Umwelt oder die menschliche Gesundheit haben können und fachgerecht recycelt werden müssen.

 Dieses Gerät verfügt über eine doppelte Isolierung. Von daher ist eine Erdung nicht erforderlich. Überprüfen Sie stets, dass die Netzspannung mit dem Wert, der auf dem Datenschild des Gerätes angegeben ist, übereinstimmt.



WARNING: Um die Verletzungsgefahr zu reduzieren, lesen Sie die vorliegende Gebrauchsanleitung aufmerksam durch.

Konformitätserklärung

Wir erklären, unter eigener Verantwortung, dass diese SPRITZPISTOLE mit 900 W Leistung VBRVACIND0001

folgende Richtlinien und Normen erfüllt:

EG-Richtlinie 2006/42/EG
 2006/95/EG Niederspannungsrichtlinie (bis 19. April 2016)
 2014/35/EU (ab 20. April 2016)
 Richtlinie 2014/30/EU über elektromagnetische Verträglichkeit
 Richtlinie 2011/65/EU über die Beschränkung der Verwendung bestimmter gefährlicher Stoffe in Elektro- und Elektronikgeräten

Außerdem erfüllt sie folgende Normen:

EN 60745-1/A11:2010
 EN 50580/A1:2013
 EN 55014-1/A2:2011
 EN 55014-2/A2:2008
 EN 61000-3-2/A2:2009
 EN 61000-3-3:2013
 IEC 62321:2008

INDUSTEX S. L.

Anschrift: Av. Paisos Catalans, 34, 8.ª planta, 08950
 ESPLUGAS DE LLOBREGAT (BARCELONA)
 ESPAÑA

Hergestellt in China

Complimenti per la scelta e grazie per l'acquisto della pistola di verniciatura a spruzzo Total Painter®. Prima d'iniziare a utilizzare il prodotto, leggere attentamente questo manuale di istruzioni e tutte le indicazioni di sicurezza. Riporre poi il manuale in un luogo facilmente accessibile per eventuali future consultazioni.

NOTA: TRADUZIONE DELLE ISTRUZIONI ORIGINALI.

INDICAZIONI GENERALI DI SICUREZZA

Gli errori derivanti dal mancato rispetto delle seguenti istruzioni possono provocare scariche elettriche, incendi e persino lesioni gravi. Le sostanze che si utilizzano con questa pistola di verniciatura a spruzzo (solventi, vernici, ecc.) possono contenere materiali pericolosi, esplosivi e corrosivi.



ATTENZIONE. Leggere tutte le istruzioni e le avvertenze di sicurezza. Nel caso in cui non fossero rispettate si potrebbero produrre scariche elettriche, incendi o lesioni gravi.

Conservare tutte le avvertenze e le istruzioni per future consultazioni. Nelle avvertenze, l'espressione «apparecchio elettrico» fa riferimento alle attrezzature collegate alla corrente elettrica (mediante cavo) e alle attrezzature alimentate mediante batteria (senza cavi).

1. Area di lavoro

- **Mantenere l'area di lavoro pulita e ben illuminata.** Negli spazi disordinati o poco illuminati è più probabile che si verifichino incidenti.

- **Non usare apparecchi elettrici in ambienti a rischio di esplosione, dove si trovino liquidi, gas o polveri infiammabili.** Gli apparecchi elettrici producono scintille che possono fungere da innesco per la combustione di polvere o gas.

- Verificare che, mentre la vernice viene nebulizzata, non siano presenti fonti di ignizione come fiamme libere, fumo di sigaretta, scintille, filo metallico incandescente e superfici roventi.

- Per evitare il rischio di esplosione mentre la vernice viene nebulizzata, occorre verificare sempre che la ventilazione, naturale o artificiale, sia adeguata.

- Coprire molto bene le superfici che non devono essere trattate. Tenere in considerazione che il vento può trasportare la vernice nebulizzata a grandi distanze e provocare danni.

- **Mentre si utilizza l'apparecchio elettrico, mantenere i bambini e i passanti a distanza.** Le distrazioni possono far perdere il controllo all'operaio.

2. Sicurezza elettrica

- Evitare il contatto con superfici messe a terra come tubi, stufe e frigoriferi, in quanto sussiste il rischio di scariche elettriche se il corpo dell'utente ha contatto a terra.

- **La spina dell'apparecchio elettrico deve coincidere con la presa. La spina originale non deve essere modificata per nessun motivo. Inoltre, non si possono usare adattatori con i dispositivi con messa a terra.** Le spine originali riducono il rischio di scariche elettriche.

- **Evitare il contatto fisico con superfici messe a terra, come tubi, radiatori, stufe, e frigoriferi.** Se il corpo dell'utente entra a contatto con una superficie messa a terra, il rischio di subire una scarica elettrica aumenta.

- **Non esporre l'apparecchio elettrico a pioggia o umidità,** in quanto l'eventuale filtrazione di acqua in qualsiasi apparecchio elettrico aumenta il rischio di scariche elettriche.

- **Non usare il cavo in modo indebito. Più precisamente, non usare il cavo per trascinare l'apparecchio elettrico, e non tirare il cavo per scollegarlo. Mantenere il cavo lontano da fonti di calore, olio, elementi taglienti o componenti in movimento.** I cavi difettosi o intrecciati aumentano il rischio di scariche elettriche.

- **Quando si usano apparecchi elettrici all'aperto, usare un cavo di prolunga adatto all'uso all'aperto.** In questo modo si riduce il rischio di scariche elettriche.

- **Se si deve usare un apparecchio elettrico in un luogo umido, usare un interruttore differenziale per ridurre il rischio di scariche elettriche.**

3. Sicurezza delle persone

- **Quando si lavora con apparecchi elettrici, prestare molta attenzione a ciò che si sta facendo e procedere usando il buon senso. Non usare un apparecchio elettrico in caso di stanchezza o se sono stati assunti droghe, alcol o medicinali.** Una semplice distrazione durante l'uso dell'apparecchio può provocare gravi danni.

- Usare i dispositivi di protezione delle vie respiratorie. La vernice nebulizzata e i vapori di solvente sono dannosi per la salute.

- **Usare un dispositivo di protezione individuale e indossare occhiali protettivi.** L'uso di dispositivi di protezione individuale (come maschere antipolvere, calzature antiscivolo, caschi e cuffie antirumore) riduce il rischio di lesioni.

- **Mantenere i bambini e altre persone lontano dall'apparecchio durante l'uso in quanto, in caso di distrazioni, si potrebbe perdere il controllo dello stesso.**

- **Evitare l'azionamento involontario dell'apparecchio. Prima di connettere l'apparecchio all'alimentazione o alla batteria, o prima di riporlo o trasportarlo, verificare che l'interruttore sia in posizione «OFF».** Se si tiene il dito sull'interruttore quando l'apparecchio elettrico viene spostato o se questo viene collegato all'alimentazione con l'interruttore in posizione

«ON» si possono verificare incidenti.

- **Non adottare posture forzate e mantenere sempre l'equilibrio.** In questo modo sarà possibile controllare meglio l'apparecchio nel caso di situazioni impreviste.

- **Usare indumenti adeguati. Non indossare indumenti ampi né gioielli. Mantenere i capelli, gli indumenti e i guanti lontano alle parti in movimento.** Gli indumenti ampi, i gioielli e i capelli lunghi potrebbero rimanere intrappolati tra le parti mobili dell'apparecchio.

- Non dirigere il getto di vernice verso persone o animali.

- Total Painter® non può essere usato da bambini né da persone con capacità fisiche, sensoriali o mentali o con esperienza e conoscenze insufficienti; a meno che siano sorvegliate da una persona responsabile della loro sicurezza o ricevano da questa le istruzioni necessarie per l'uso del prodotto. Assicurarsi che i bambini non giochino con l'apparecchio

4. Uso e manutenzione dell'apparecchio elettrico

- Impiegare solo materiali adatti per pistole a spruzzo.

- **Non usare l'apparecchio elettrico se l'interruttore non funziona correttamente.** Gli apparecchi elettrici che non possono essere controllati mediante l'interruttore sono pericolosi e devono essere riparati.

- **Scollegare l'apparecchio dall'alimentazione o dalla batteria prima di realizzare regolazioni, sostituire accessori o riporre l'apparecchio stesso.** Queste misure preventive di sicurezza riducono il rischio di un eventuale azionamento involontario dell'apparecchio.

- **Conservare gli apparecchi elettrici che non si utilizzano fuori dalla portata dei bambini ed evitare che gli apparecchi siano usati da persone che non abbiano familiarità con gli stessi e non ne conoscano le istruzioni d'uso.** Gli apparecchi elettrici sono pericolosi se lasciati a persone che non li sanno usare.

- **Realizzare gli interventi di manutenzione degli apparecchi elettrici. Verificare che le parti mobili siano fissate in modo corretto, che non vi siano parti rotte e che le condizioni generali dell'apparecchio elettrico non possano provocare un mal funzionamento dello stesso. Nel caso in cui venissero riscontrati eventuali danni, riparare l'apparecchio prima dell'uso.** Molti incidenti sono provocati da una mancata manutenzione degli apparecchi.

- **Usare l'apparecchio elettrico, gli accessori, i pezzi, ecc. rispettando le presenti istruzioni, tenendo in considerazione l'ambiente di lavoro e l'attività che si deve realizzare.** L'uso dell'apparecchio elettrico per fini diversi da quelli indicati può risultare pericoloso.

- Le pistole a spruzzo non devono essere pulite con solventi infiammabili il cui punto di infiammabilità sia inferiore a 21°C.

- Le pistole a spruzzo non devono essere utilizzate per nebulizzare sostanze infiammabili.

- Non nebulizzare materiali dei quali non si conosce il grado di pericolosità.

- I sistemi di nebulizzazione non devono essere utilizzate in locali industriali che fanno parte della disposizione sulla protezione contro le esplosioni.

- Fare attenzione ai pericoli che possono derivare dal materiale nebulizzato e rispettare le indicazioni sull'etichetta dei contenitori e le istruzioni del fabbricante del materiale da nebulizzare.

- Fare attenzione ai vapori di solvente: non devono essere aspirati dall'apparecchio. Non orientare il getto dello spruzzo verso l'apparecchio!

- Se la vernice viene assorbita dal tubo dell'aria (figura 9A-12) interrompere l'uso dell'apparecchio. In questo caso il tubo dell'aria, la valvola (figura 9A-13) e la membrana (figura 9A-14) dovranno essere smontati e puliti. Se necessario, la membrana dovrà essere sostituita.

5. Assistenza tecnica

- **L'apparecchio elettrico deve essere riparato solo da personale tecnico qualificato che utilizzi pezzi di ricambio originali.** Solo in questo modo è possibile garantire la sicurezza dell'apparecchio elettrico.

DETTAGLIO PEZZI

(Vedere figura 1)

| | |
|----|--------------------------------|
| 1 | Ugello |
| 2 | Anello di blocco |
| 3 | Corpo pistola |
| 4 | Grilletto |
| 5 | Vite di regolazione del flusso |
| 6 | Tubo dell'aria |
| 7 | Valvola |
| 8 | Serbatoio vernice |
| 9 | Tubo flessibile |
| 10 | Tracolla per il trasporto |
| 11 | Interruttore ON/OFF |
| 12 | Presca a spina |

TIPI DI MATERIALI

Usare il materiale consigliato per uso con pistola a spruzzo.

Preparazione del materiale di rivestimento
Con Total Painter® è possibile applicare prodotti come vernice, trasparente e lacca, non diluiti o leggermente diluiti.

Nel caso in cui fosse necessario diluire la vernice, iniziare diluendo un 10%. Procedere riempiendo un recipiente da 1 litro con la vernice da usare. Il viscosimetro può contenere 1 decilitro. Tapparne il foro e riempire con il diluente necessario. Aggiungerlo alla vernice e agitare bene. Verificare poi la viscosità seguendo le indicazioni successive. Se la vernice dovesse essere diluita ulteriormente, diluire di un altro 5% (la metà della capacità del viscosimetro) e verificare la viscosità. Se la vernice non presenta ancora la viscosità consigliata, ripetere il passo precedente fino a ottenerla.

Questa pistola a spruzzo può essere usata con prodotti con una viscosità di 25 DIN/sec. fino a un massimo di 50 DIN/sec. Immergere il viscosimetro nel materiale da spruzzare e riempirlo. Cronometrare quindi il tempo che tarda il viscosimetro a svuotarsi (figura 2). Questo tempo viene chiamato "secondi DIN" (DIN/sec.). Oltre a queste indicazioni, si devono consultare anche le istruzioni del fabbricante del materiale, così come la guida per determinare se il materiale deve essere ulteriormente diluito.

Consigli:

| Esempio di materiale | Valori indicativi DIN |
|--|------------------------------|
| Vernice ad acqua ed emulsioni | 25-50 DIN/sec. |
| Smalti, trasparenti colorati con solvente o solubili in acqua | 45-50 DIN/sec. |
| Lacche | non diluire |
| Primer | 45-50 DIN/sec. |
| Impregnanti per il legno, coloranti, oli, disinfettanti, prodotti fitosanitari | non diluire |

Seguire le istruzioni fornite dal presente manuale solo se il materiale che desidera utilizzare non è dotato di istruzioni d'uso. In caso contrario, seguire le istruzioni d'uso fornite con il materiale.

MESSA IN SERVIZIO

Prima di collegare l'apparecchio all'alimentazione, verificare che la tensione della rete corrisponda ai dati indicati sull'etichetta che riporta le caratteristiche tecniche di Total Painter®.

- Fissare la tracolla per il trasporto nell'apparecchio.
- Svitare il serbatoio della pistola a spruzzo.
- Allineare il tubo di salita (figura 3). Con il tubo di salita nella posizione corretta, il contenuto del serbatoio può essere nebulizzato quasi totalmente. Per verniciare o trattare superfici orizzontali, il tubo deve essere girato in avanti (figura 3A). Per verniciare o trattare superfici sopra testa, il tubo deve essere girato indietro (figura 3B).
- Collocare il serbatoio su una base di carta e riempire con il materiale da nebulizzare.
- Montare il tubo flessibile dell'aria all'accoppiamento dell'apparecchio e del manico della pistola (figura 4).
- Il tubo flessibile dell'aria deve essere collegato alla pistola di verniciatura esercitando una pressione. Verificare che sia fissato bene. Il tubo non deve entrare del tutto, è sufficiente fissarlo bene.
- Appendere l'apparecchio su una superficie liscia e pulita, per evitare di aspirare polvere, ecc.
- Collocare l'apparecchio usando la tracolla per il trasporto.
- Orientare la pistola verso l'oggetto da nebulizzare.
- Si consiglia di fare una prova di nebulizzazione su un pezzo di cartone o su un fondo simile a quello che si desidera nebulizzare. In questo modo sarà possibile stabilire la quantità di materiale necessario e il getto della nebulizzazione.
- Azionare il pulsante "ON/OFF" e iniziare a usare il Total Painter®.

Selezione del getto di nebulizzazione

Esistono tre tipi diversi di getto che permettono di nebulizzare il prodotto:

1. getto a ventaglio verticale, per superfici orizzontali (figura 5A)
2. getto a ventaglio orizzontale, per superfici verticali (figura 5B)
3. getto rotondo, per angoli e superfici di difficile accesso (figura 5C)

Regolazione del getto di nebulizzazione

Allentando leggermente l'anello di blocco, ruotare il coperchio dell'aria e collocarlo nella posizione di getto desiderata per procedere con la nebulizzazione (figura 6). Successivamente serrare di nuovo l'anello di blocco.

Non premere mai il grilletto della pistola a spruzzo mentre si regola il coperchio dell'aria.

Regolazione della quantità di materiale

Per regolare la quantità di materiale, ruotare l'elemento regolatore del grilletto della pistola a

spruzzo.

- per una quantità minore di materiale, girare in senso antiorario
- per una quantità maggiore di materiale, girare in senso orario (figura 7)

Tecniche di nebulizzazione

- Per garantire un buon risultato, prima di nebulizzare la superficie, è essenziale che questa sia completamente pulita e liscia. Si consiglia di sottoporre la superficie da trattare a un trattamento previo.

- Proteggere tutte le superfici che non devono essere trattate, compresi filettature e viti.

- Realizzare una nebulizzazione di prova su cartone o su una superficie simile prima di incominciare a usare il prodotto. In questo modo si potrà stabilire con maggiore sicurezza la regolazione della pistola. Inoltre, si consiglia di iniziare a nebulizzare fuori dalla superficie da trattare e di evitare interruzioni all'interno della superficie da nebulizzare.

- L'applicazione della vernice deve avvenire muovendo il braccio, non il polso, per garantire una distanza uniforme tra la pistola e la superficie da trattare. Scegliere una distanza tra 5 e 15 cm in base all'ampiezza desiderata del getto di nebulizzazione. La figura 8A mostra la posizione corretta: la distanza della pistola dall'oggetto è uniforme. La figura 8B, invece, mostra la posizione errata: la distanza non è uniforme e l'applicazione del prodotto risulta irregolare.

- La pistola a spruzzo deve essere diretta in modo uniforme e trasversale, verso l'alto o verso il basso, in base alla regolazione del getto di nebulizzazione.

- Muovere uniformemente la pistola a spruzzo per permettere di ottenere una verniciatura uniforme.

- Pulire l'ugello o il coperchio dell'aria nel caso in cui il materiale di verniciatura si dovesse accumulare.

INTERRUZIONI

Nel caso in cui fosse necessario interrompere l'uso dell'apparecchio per un periodo inferiore alle 4 ore:

- Spegnerne l'apparecchio.
- In caso di trattamento con trasparente bicomponente, l'apparecchio deve essere pulito immediatamente.

MESSA FUORI SERVIZIO

È essenziale pulire l'apparecchio in modo adeguato per garantirne un corretto funzionamento. Si consiglia di procedere come indicato di seguito:

- Estrarre la presa. Durante interruzioni prolungate e una volta terminato il lavoro, spurgare l'aria dai serbatoi. Per farlo, aprire il serbatoio per un breve periodo di tempo e richiuderlo, oppure premere il grilletto della pistola per rimettere la vernice nel contenitore originale.

- Smontare la pistola.

- Svitare il serbatoio. Versare il resto del materiale

nel contenitore originale.

- Pulire con un pennello il serbatoio e il tubo di salita.

- Riempire di solvente o acqua il serbatoio ed avviare. Si possono usare solo solventi con un punto di infiammabilità superiore a 21°C.

- Montare nuovamente la pistola (figura 9).

- Connettere la presa all'alimentazione, accendere l'apparecchio e vaporizzare il solvente o l'acqua in un recipiente o su un panno.

- Spegnerne quindi l'apparecchio ed estrarre la presa dall'alimentazione.

- Svitare il serbatoio e svuotarlo. Estrarre il tubo di salita e il giunto del serbatoio.

- Tirare il tubo dell'aria (figura 9A-12) fuori dal corpo della pistola. Svitare il coperchio della valvola (figura 9A-13) ed estrarre la membrana (figura 9A-14). Pulire con cura tutte le parti.

- Svitare l'anello di blocco e togliere il coperchio dell'aria e l'ugello. Pulire con un pennello e con solvente, oppure con acqua, il coperchio dell'aria, il giunto dell'ugello e l'ugello. Non pulire i giunti, la membrana e i fori degli ugelli e le cavità della pistola di nebulizzazione con oggetti di metallo appuntiti.

- Pulire esternamente la pistola di nebulizzazione con un panno imbevuto di solvente o acqua.

- Montare di nuovo le parti.

Manutenzione

Coperchio dell'aria / Ugello – Togliere il coperchio dell'aria e l'ugello della pistola e immergere l'ugello in solvente pulito. Asciugare con aria compressa. Se i piccoli fori risultassero ostruiti, introdurre anche il coperchio dell'aria nel solvente. Nel caso in cui fosse necessario aprire fori, usare uno stuzzicadenti, un bastone o qualsiasi strumento simile di un materiale non troppo duro.

Non pulire i fori con cavi, chiodi o altri oggetti in materiali simili. In caso contrario, il coperchio potrebbe risultare danneggiato in modo permanente, creando getti più grandi, e il risultato della nebulizzazione potrebbe risultare difettoso.

Il set comprende un clip per la pulizia. Questo utensile serve per pulire ed eliminare i resti di vernice dai fori più piccoli della pistola di verniciatura. Usare questo utensile se non è stato possibile eliminare completamente i resti di vernice seguendo i passi di manutenzione indicati in precedenza.

Stoccaggio

Conservare la pistola di nebulizzazione lasciando un po' di solvente nel coperchio dell'aria e nell'ugello, per evitare che l'ago della pistola si asciughi o si rompa, provocando perdite di aria o di liquido.

MONTAGGIO

L'apparecchio deve essere usato solo con la membrana intatta (figura 9A-14). Collocare la membrana con il perno verso l'alto sulla parte inferiore della

valvola. Si veda il segno di riferimento sul corpo della pistola. Collocare il coperchio della valvola con attenzione e serrarlo bene. Inserire il tubo dell'aria nel coperchio della valvola e il giunto nel corpo della pistola. Collocare correttamente l'ugello in modo tale da incastrare le tacche corrispondenti (figura 9B).

Inserire l'ugello nel corpo della pistola e individuare la posizione corretta con una rotazione. Collocare il coperchio dell'aria nell'ugello e serrarla con l'anello di blocco.

Infine, introdurre il giunto del serbatoio sotto al tubo di salita e farlo scorrere fino all'unione. Per farlo, girare leggermente il giunto del serbatoio e inserire il tubo di salita con giunto del serbatoio nel corpo della pistola.

IL SET COMPRENDE:

- Unità principale
- Tubo
- Tracolla per il trasporto
- Viscosimetro
- Pistola di nebulizzazione
- Serbatoio vernice
- Clip per la pulizia

SPECIFICHE TECNICHE

TENSIONE: 220-240 V; 50 Hz

POTENZA ASSORBITA: 900 W

PORTATA: 800 ml/min. (spruzzo d'acqua)

CAPACITÀ SERBATOIO: 800 ml

LUNGHEZZA DEL TUBO FLESSIBILE: 1,5 m

VISCOSITÀ MASSIMA: 45 DIN/sec.

VELOCITÀ DEL MOTORE: 36000 giri/min.

PESO: 1,9 kg

Dati sul rumore: LpA = 82,1 dB(A); LwA = 93,1 dB(A)

K = 3

Dati sulla vibrazione: 2,180 m/s² K = 1,5

Garanzia di qualità

Questo prodotto è garantito contro ogni difetto di fabbricazione per il tempo previsto dalla legislazione vigente.

Sono esplicitamente esclusi dalla garanzia i danni derivanti da uso improprio, uso commerciale negligente, usura anormale, incidenti o manomissioni.

DISMISSIONE E ROTTAMAZIONE DELL'APPARECCHIO



Il simbolo di un cassonetto su ruote barrato indica che è necessario conoscere e rispettare le normative e le ordinanze municipali specifiche per l'eliminazione di questo tipo di prodotti.

Non disfarsi di questo articolo come se si trattasse di un comune residuo domestico. Seguire le normative e le ordinanze municipali pertinenti.

I prodotti elettrici ed elettronici contengono sostanze pericolose che hanno effetti nocivi sull'ambiente e/o

sulla salute umana, per cui devono essere convenientemente riciclati.



Questo apparecchio è dotato di doppio isolamento, per cui non richiede presa di terra. Verificare sempre che la tensione di rete corrisponda al valore indicato nella piastrina delle caratteristiche.



ATTENZIONE: Per ridurre il rischio di lesioni leggere attentamente questo manuale di istruzioni.

Dichiarazione di conformità

Dichiariamo, sotto la nostra esclusiva responsabilità, che questa PISTOLA A SPRUZZO da 900 W VBRVACIND0001

è conforme alle direttive e ai documenti normalizzati indicati di seguito:

Direttiva CE 2006/42/CE

Direttiva Bassa Tensione 2006/95/CE (fino al 19 aprile 2016)

Direttiva 2014/35/UE (dal 20 aprile 2016)

Direttiva Compatibilità Elettromagnetica 2014/30/UE

Direttiva 2011/65/UE Restrizione dell'Uso di Determinate Sostanze Pericolose nelle Apparecchiature Elettriche ed Elettroniche

Inoltre, è conforme alle seguenti norme:

EN 60745-1/A11:2010

EN 50580/A1:2013

EN 55014-1/A2:2011

EN 55014-2/A2:2008

EN 61000-3-2/A2:2009

EN 61000-3-3:2013

IEC 62321:2008

INDUSTEX S. L.

Indirizzo: Av. Paisos Catalans, 34, 8.ª planta, 08950
ESPLUGAS DE LLOBREGAT (BARCELONA)
SPAGNA

Prodotto in China

Parabéns pela aquisição da sua pistola de pulverização Total Painter®. Leia atentamente as instruções de utilização, assim como todas as indicações de segurança, antes de utilizar o produto pela primeira vez. Guarde o manual num lugar acessível para poder ser consultado no futuro.

NOTA: TRADUÇÃO DAS INSTRUÇÕES ORIGINAIS.

INDICAÇÕES GERAIS DE SEGURANÇA

Os erros cometidos por não respeitar as seguintes instruções podem ocasionar uma descarga elétrica, um incêndio ou até mesmo lesões graves. As substâncias que se utilizam com esta pistola de pulverização (solventes, tintas, etc.) podem conter materiais perigosos, daninhos, explosivos ou corrosivos.



ADVERTÊNCIA. Leia todas as instruções e advertências de segurança.

Qualquer incumprimento das mesmas poderia provocar descargas elétricas, incêndios ou lesões pessoais graves.

Guarde todas as advertências e instruções para futuras consultas. Nas advertências, a expressão "ferramenta elétrica" refere-se tanto às ferramentas ligadas à rede elétrica (por cabo de rede) como às acionadas mediante uma bateria (sem cabo de rede).

1. Lugar de trabalho

- **Mantenha o lugar de trabalho limpo e bem iluminado.** Os lugares abarrotados ou mal iluminados propiciam os acidentes.

- **Não utilize ferramentas elétricas em atmosferas explosivas, como, por exemplo, na presença de líquidos, gases ou poeiras inflamáveis.** As ferramentas elétricas produzem faíscas que poderiam provocar a ignição de poeiras ou de gases.

- **Assegure-se de que, durante a pulverização, no lugar de trabalho não existam focos de ignição como, por exemplo, fogo de chama aberta, fumo de cigarros, faíscas, arames incandescentes e superfícies quentes.**

- **Para evitar o perigo de explosão durante os trabalhos de pulverização deve sempre assegurar-se de que haja um bom arejamento natural ou artificial.**

- **Cubra muito bem as superfícies que não vão ser pulverizadas.** Tenha em conta que, por ação do vento, a nuvem de tinta pode expandir-se alcançando grandes distâncias e causando danos.

- **Enquanto estiver a utilizar uma ferramenta elétrica, mantenha as crianças e outras pessoas afastadas da ferramenta.** As distrações podem levar a uma falta de controlo sobre a ferramenta.

2. Segurança elétrica

- Evite o contacto do corpo com superfícies com ligação à terra, como, por exemplo, canalizações, aquecedores e frigoríficos. O risco de descarga elétrica é mais elevado se o seu corpo estiver em

contacto com o chão.

- **As fichas das ferramentas elétricas devem ser adequadas às tomadas às quais vão ser ligadas. Nunca se deve modificar uma ficha original. Não utilize adaptadores de tomadas com as ferramentas elétricas que tenham ligação à terra.** A utilização de fichas originais reduz o risco de sofrer descargas elétricas.

- **Evite o contacto do corpo com superfícies que tenham ligação à terra como, por exemplo, tubagens, aquecedores, fogões e frigoríficos.** O risco de descarga elétrica é mais elevado se o seu corpo estiver em contacto direto com superfícies ligadas à terra.

- **Não exponha as ferramentas elétricas à chuva ou à humidade.** A entrada de água em qualquer aparelho elétrico aumenta o risco de que se produza uma descarga elétrica.

- **Não utilize o cabo indevidamente. Em concreto, não o utilize para transportar a ferramenta elétrica nem puxe por ele para tirar a ficha da tomada. Mantenha o cabo afastado de fontes de calor, óleo, arestas vivas ou elementos em movimento.** Os cabos danificados ou enredados aumentam o risco de que se produza uma descarga elétrica.

- **Quando trabalhar com uma ferramenta elétrica ao ar livre, utilize um cabo de extensão adequado para espaços exteriores.** Assim reduzirá o risco de que se produza uma descarga elétrica.

- **Se não tiver outra alternativa que a de trabalhar com a ferramenta elétrica num lugar húmido, utilize um interruptor diferencial.** Os interruptores diferenciais reduzem o risco de que se produza uma descarga elétrica.

3. Segurança de pessoas

- **Quando trabalhar com uma ferramenta elétrica preste atenção ao que está a fazer e use o bom senso. Não utilize uma ferramenta elétrica se estiver cansado ou sob a influência de drogas, álcool ou medicamentos.** As faltas de atenção durante a utilização de uma ferramenta elétrica podem provocar lesões graves.

- **Utilize proteção respiratória.** As nuvens de tinta e os vapores solventes são prejudiciais para a saúde.

- **Use equipamento de proteção pessoal e óculos de proteção.** O uso de equipamento de proteção (como, por exemplo, máscaras contra poeiras, calçado de segurança antiderrapante, capacete e proteção para os ouvidos) reduz o risco de lesões pessoais.

- **Mantenha as crianças e outras pessoas afastadas deste aparelho durante a sua utilização porque poderia distrair-se e perder o controlo do aparelho.**

- **Evite a ligação involuntária da ferramenta. Antes de pegar na ferramenta elétrica, de a transportar, de a ligar à rede elétrica ou de lhe colocar a bateria, verifique se o interruptor se encontra na**

posição "OFF". Transportar a ferramenta elétrica com o dedo sobre o interruptor ou ligá-la à rede elétrica com o interruptor na posição "ON" pode causar acidentes.

- **Não adote posturas forçadas e mantenha sempre o equilíbrio.** Desta forma terá um melhor controle da ferramenta elétrica se surgirem situações inesperadas.

- **Use roupa adequada. Não use roupa demasiado larga nem joias. Mantenha o cabelo, a roupa e as luvas afastados das peças móveis.** A roupa larga, as joias e o cabelo comprido podem ficar presos nas peças móveis da ferramenta.

- Não aponte o jato de tinta para pessoas ou animais.
- A Total Painter® não deverá ser utilizada por pessoas (inclusive crianças) cuja capacidade física, sensorial ou mental seja limitada ou que não disponham de experiência ou conhecimentos sobre a utilização da mesma, a não ser que sejam supervisionadas por uma pessoa responsável pela sua segurança ou que recebam as instruções necessárias para utilizar o aparelho de forma segura. As crianças não devem brincar com o aparelho.

4. Utilização e manutenção da ferramenta elétrica

- Devem utilizar-se unicamente materiais recomendados para pintura com pistola.

- **Não utilize a ferramenta elétrica se o interruptor não a liga e desliga.** Qualquer ferramenta elétrica que não possa ser controlada através do interruptor é perigosa e deverá ser reparada.

- **Antes de realizar qualquer regulação, de substituir os acessórios ou de guardar a ferramenta elétrica, tire a ficha da tomada de corrente elétrica ou desligue a bateria.** Estas medidas de segurança preventivas reduzem o risco de ligação involuntária da ferramenta elétrica.

- **Guarde as ferramentas elétricas que não utilize fora do alcance das crianças e não permita que sejam utilizadas por pessoas que não estejam familiarizadas com a sua utilização ou com as suas instruções.** As ferramentas elétricas são perigosas se não se sabe utilizá-las.

- **Mantenha as ferramentas elétricas em bom estado. Verifique se as peças móveis estão bem montadas e se existem peças partidas ou deterioradas assim como tudo aquilo que poderia afetar o funcionamento da ferramenta elétrica. Se a ferramenta estiver danificada, deverá ser reparada antes de ser utilizada.** Ocorrem muitos acidentes pelo mau estado das ferramentas elétricas.

- **Utilize a ferramenta elétrica, os acessórios, as peças, etc., de acordo com estas instruções, tendo em conta as condições de trabalho e a tarefa a realizar.** É perigoso utilizar uma ferramenta elétrica para um trabalho distinto daquele para o qual foi concebida.

- As pistolas de pulverização não devem ser limpas

com solventes inflamáveis que tenham um ponto de ignição inferior a 21 °C.

- As pistolas de pulverização não devem ser utilizadas para pulverizar substâncias inflamáveis.

- Nunca pulverize materiais cujo grau de perigosidade não seja conhecido.

- Os sistemas de pulverização não devem ser utilizados em locais industriais nos quais, de acordo com a legislação local, exista o perigo de formação de atmosferas explosivas.

- Preste atenção aos perigos que possam derivar da utilização do material pulverizado e respeite as indicações dos rótulos dos depósitos, ou as instruções do fabricante do material de pulverização.

- Preste igualmente atenção aos vapores do solvente para que não sejam aspirados pelo equipamento. Não aponte o jato de pulverização para o equipamento!

- Se a tinta subir para o tubo de ar (figura 9A-12) não continue a utilizar o aparelho. Neste caso, deverá desmontar o tubo de ar, a válvula (figura 9A-13) e a membrana (figura 9A-14), limpar e, se for necessário, substituir a membrana.

5. Serviço

- **A reparação da sua ferramenta elétrica deve ser sempre efetuada por um serviço técnico oficial e só devem ser utilizadas peças de substituição originais.** Isto garante um funcionamento seguro da ferramenta elétrica.

DETALHE PEÇAS

(Ver figura 1)

| | |
|----|------------------------------|
| 1 | Bico |
| 2 | Anel do bico |
| 3 | Corpo pistola |
| 4 | Gatilho |
| 5 | Parafuso regulador do fluido |
| 6 | Tubo de ar |
| 7 | Válvula |
| 8 | Depósito de tinta |
| 9 | Mangueira |
| 10 | Correia de transporte |
| 11 | Interruptor ON/OFF |
| 12 | Ficha |

13

Copo de viscosidade

TIPOS DE MATERIAIS

Utilize material recomendado para pistolas.

Preparação do material de pulverização

Com a Total Painter® é possível pulverizar tintas, lacas e vernizes sem diluir ou ligeiramente diluídos.

Se for necessário diluir a tinta, comece por uma diluição de aproximadamente 10 % da tinta. Para isso, encha um recipiente de um litro com a tinta a utilizar. Tenha em conta que a capacidade do copo de viscosidade é de um decilitro, pelo que tape o orifício e encha-o com o diluente necessário. Junte o diluente à tinta e mexa bem. Depois, meça novamente a viscosidade de acordo com a tabela abaixo indicada. Se a tinta necessitar ser mais diluída, dilua a tinta mais 5 % (a metade da capacidade do copo) e meça novamente a viscosidade. Se a tinta ainda não tiver a viscosidade recomendada repita o passo anterior até obter a viscosidade adequada.

Esta pistola pode ser utilizada com produtos com um índice de viscosidade de 25 DIN-s até um máximo de 50 DIN-s. Submerja o copo de viscosidade no material e encha-o. Depois, cronometre o tempo que o copo demora em esvaziar-se (figura 2). Este tempo denomina-se "segundos DIN (DIN-s)". Para além destas recomendações, também deverá consultar as instruções do fabricante do material, como guia para determinar se o material necessita ser mais diluído.

Recomendações:

| Exemplos de material | Valores orientativos DIN |
|---|--------------------------|
| Tinta base aquosa e emulsões | 25-50 DIN-s |
| Esmaltes, lacas de cor com solvente ou solúveis em água | 45-50 DIN-s |
| Vernizes | sem diluir |
| Primários | 45-50 DIN-s |
| Impregnantes para madeira, corantes, óleos, desinfetantes, produtos fitossanitários | sem diluir |

Siga as instruções facilitadas neste manual unicamente se o material que deseja utilizar não tiver instruções de utilização. Em caso contrário, siga as instruções proporcionadas juntamente com o material.

COLOCAÇÃO EM SERVIÇO

Antes de conectar o aparelho à rede elétrica, assegure-se de que a tensão da rede coincida com os dados indicados no rótulo de características técnicas

da Total Painter®.

- Comece por colocar a correia de transporte no aparelho.

- Desenrosque o depósito da pistola de pulverização. - Alinhe o tubo de subida (figura 3). Com o tubo de subida colocado na posição correta, o conteúdo do depósito pode ser pulverizado quase sem resto. Para pintar ou tratar superfícies horizontais deverá girar o tubo de subida para a frente (figura 3A). Para trabalhos de pulverização em objetos por cima da cabeça deverá girar o tubo de subida para trás (figura 3B).

- Coloque o depósito sobre uma base de papel e encha-o com o material de pulverização.

- Montar o tubo flexível de ar na união do equipamento e do cabo da pistola (figura 4).

- O tubo flexível de ar deve ser conectado à pistola de pulverização; certifique-se de que fica bem preso; não é necessário que o tubo entre totalmente na pistola, basta que fique bem preso.

- Colocar o equipamento sobre uma superfície lisa e limpa porque caso contrário poderá aspirar poeira, etc.

- Pendurar o aparelho com a correia de transporte.

- Apontar a pistola para o objeto a pulverizar.

- Recomenda-se experimentar primeiro pulverizando sobre um cartão ou sobre um fundo semelhante ao que deseja pulverizar. Assim poderá determinar a quantidade do material pulverizado e o tipo de jato de pulverização.

- Pressione o botão "ON/OFF" para ligar o aparelho e comece a utilizá-lo.

Selecionar o tipo de jato de pulverização

Existem três formas diferentes de jato de pulverização:

1. Jato vertical, indicado para superfícies horizontais (figura 5A)
2. Jato horizontal, indicado para superfícies verticais (figura 5B)
3. Jato redondo, indicado para esquinas e superfícies de acesso difícil (figura 5C)

Regular o tipo de jato de pulverização

Com o anel do bico ligeiramente desapertado, gire a tampa de ar para a posição de jato de pulverização desejada (figura 6). Depois, volte a apertar o anel do bico.

Nunca aperte o gatilho da pistola durante a regulação da tampa de ar.

Regulação da quantidade de material

Para regular a quantidade de material, gire o elemento regulador no gatilho da pistola:

- para menos quantidade de material, gire para a esquerda

- para mais quantidade de material, gire para a direita (figura 7)

Técnicas de pulverização

- Para assegurar um bom resultado, é essencial que a superfície esteja completamente limpa e lisa antes da pulverização. Aconselha-se submeter a superfície a um cuidadoso tratamento prévio.

- Cubra todas as superfícies que não deseja pulverizar, incluindo porcas e parafusos.

- Antes de começar a utilizar o produto, experimente primeiro pulverizando sobre cartão ou sobre um fundo semelhante; desta forma poderá determinar, com maior precisão, a regulação adequada do jato de pulverização. Também se recomenda começar o trabalho pulverizando ligeiramente fora da superfície a pulverizar e evitar sempre interrupções dentro da superfície de pulverização.

- A deslocação do jato na superfície de pulverização deverá ser sempre feita através do movimento da pistola efetuado com o braço e não com o pulso; desta maneira se assegura que existe sempre a mesma distância entre a pistola e a superfície a pulverizar. Opte por uma distância de 5-15 cm, segundo a largura desejada do jato de pulverização. A figura 8A indica a posição correta para que a distância ao objeto seja uniforme; a figura 8B mostra a posição incorreta, que dá lugar a uma distância desigual e, portanto, a uma pintura irregular.

- Mova a pistola de pulverização uniformemente no sentido horizontal ou vertical, segundo a regulação do jato de pulverização.

-Um movimento uniforme da pistola de pulverização produz uma superfície com uma qualidade uniforme.

- Se o material de pulverização se acumular no bico e na tampa de ar, limpe ambas as peças com solvente ou com água.

INTERRUPÇÃO DO SERVIÇO

Se necessitar interromper a utilização do aparelho durante um período de tempo não superior a 4 h:

- Desligue o aparelho.

- Se estiver a utilizar lacas de dois componentes deverá limpar o equipamento imediatamente.

COLOCAÇÃO FORA DE SERVIÇO

Para o funcionamento correto do aparelho, é essencial limpá-lo corretamente. Assim, aconselhamos:

- Desconectar a ficha da tomada de rede elétrica. Durante pausas prolongadas e depois de terminar o trabalho, purgar o ar dos depósitos. Para isso, abra o depósito durante um curto período de tempo e volte a fechá-lo ou então aperte o gatilho da pistola e esvazie o conteúdo do depósito para a embalagem original do produto.

- Desmontar a pistola.

- Desenroscar o depósito. Deitar o conteúdo do depósito na embalagem original do produto.

- Limpar com um pincel o depósito e o tubo de subida.

- Encher o depósito com solvente ou com água e

enroscá-lo. Utilizar unicamente solventes com um ponto de ignição superior a 21 °C.

- Voltar a montar a pistola (figura 9).

- Conectar a ficha à tomada de rede elétrica, ligar o aparelho e pulverizar o solvente ou a água para um recipiente ou para um pano.

- Desligar o aparelho e desconectar a ficha da tomada de rede elétrica.

- Desenroscar o depósito e esvaziá-lo. Tirar o tubo de subida com junção do depósito.

- Tirar o tubo de ar (figura 9A-12) por cima do corpo da pistola. Desenroscar a tampa da válvula (figura 9A-13) e extrair a membrana (figura 9A-14). Limpar cuidadosamente todas as peças.

- Desenroscar o anel do bico, tirar a tampa de ar e o bico. Limpar a tampa de ar, a união do bico e o bico com um pincel e com solvente ou com água. Não se aconselha limpar as uniões, a membrana e os orifícios dos bicos ou as cavidades de ar da pistola de pulverização com objetos de metal pontiagudos.

- Limpar exteriormente a pistola de pulverização com um pano embebido em solvente ou em água.

- Montar de novo todas as peças.

Manutenção

Tampa de ar / Bico – Retire a tampa de ar e o bico da pistola e submerja-o em solvente limpo. Seque-o com ar comprimido. Em caso de obstrução dos orifícios pequenos, introduza também a tampa de ar em solvente. Se os orifícios não ficarem desobstruídos, utilize um palito ou qualquer outro material que não seja muito duro para desobstruí-los.

Não desobstrua os orifícios com fios, pregos ou qualquer outro objeto de dureza similar. Se não seguir estas indicações, poderia danificar a tampa de forma permanente, tornando os jatos maiores, e o resultado da pulverização poderia ser defeituoso.

O kit inclui um utensílio de limpeza que serve para limpar e eliminar os restos de tinta dos orifícios mais pequenos da pistola de pulverização se não tiver podido eliminá-los totalmente seguindo os passos de manutenção detalhados anteriormente.

Armazenagem

Guarde a pistola de pulverização com um pouco de solvente na tampa de ar e no bico para evitar que a agulha da pistola se seque ou se parta, o qual poderia produzir perdas de ar ou de líquidos.

MONTAGEM

O equipamento deve ser utilizado unicamente com a membrana intacta (figura 9A -14). Coloque a membrana (com a espiga para cima) sobre a parte inferior da válvula. Veja também a marca no corpo da pistola. Coloque a tampa da válvula com cuidado, enrosque-a e aperte-a. Insira o tubo de ar na tampa da válvula e a união no corpo da pistola. Coloque corretamente o bico para que encaixe nas ranhuras

da pistola (figura 9B).

Insira o bico no corpo da pistola e girando-o localize a posição correta. Introduza a tampa de ar no bico e aperte-a com o anel do bico.

Finalmente, introduza a junção do depósito por baixo do tubo de subida e deslize-a até à união. Para isso, gire ligeiramente a junção do depósito e insira o tubo de subida com a junção do depósito no corpo da pistola.

O KIT INCLUI

- Unidade principal
- Tubo
- Correia de transporte
- Copo medidor de viscosidade
- Pistola de pulverização
- Depósito de tinta
- Utensílio de limpeza

ESPECIFICAÇÕES TÉCNICAS

VOLTAGEM: 220-240 V; 50 Hz
 POTÊNCIA NOMINAL ABSORVIDA: 900 W
 CAUDAL: 800 ml/m (jato de água)
 CAPACIDADE DEPOSITO: 800 ml
 COMPRIMENTO DO TUBO FLEXÍVEL: 1,5 m
 VISCOSIDADE MÁXIMA: 45 DIN-s
 VELOCIDADE DO MOTOR: 36000 r.p.m.
 PESO: 1,9 kg
 Dados sobre o ruído: LpA = 82,1 dB(A); LwA = 93,1 dB(A) K = 3
 Dados sobre a vibração: 2,180 m/s² K = 1,5

Garantia de qualidade

Este produto está coberto por uma garantia contra defeitos de fabrico sujeita aos períodos de tempo estipulados pela legislação vigente em cada país.

Esta garantia não cobre os danos resultantes de um uso inadequado, uso comercial negligente, desgaste anómalo, acidentes ou manipulação indevida.

COMO SE DESFAZER DOS MATERIAIS



O símbolo de um contentor sobre rodas riscado indica que Você se deve informar e seguir as normas locais relativas à eliminação deste tipo de produtos.

Não se desfaça deste produto da mesma forma que o faz habitualmente com os resíduos gerais da sua casa. A eliminação do produto deve ser realizada de acordo com as normas locais aplicáveis.

Os produtos eléctricos e electrónicos contêm substâncias perigosas que têm efeitos nefastos sobre o ambiente e a saúde humana e, portanto, devem ser reciclados adequadamente.



Este aparelho dispõe de isolamento duplo pelo que não necessita ligação de terra. Comprove sempre se a voltagem da rede eléctrica corresponde à indicada na placa de dados do aparelho.



ADVERTÊNCIA: Para reduzir o risco de lesões, leia atentamente este manual de instruções.

Declaração de conformidade

Declaramos, sob a nossa exclusiva responsabilidade, que esta PISTOLA DE PULVERIZAÇÃO de 900 W VBRVACIND0001 cumpre as diretivas e documentos normalizados seguintes:

Diretivas CE 2006/42/CE
 Diretiva 2006/95/CE relativa ao equipamento eléctrico de baixa tensão (até 19 de abril de 2016)
 Diretiva 2014/35/UE (a partir de 20 de abril de 2016)
 Diretiva 2014/30/UE relativa à compatibilidade eletromagnética
 Diretiva 2011/65/UE relativa às restrições à utilização de determinadas substâncias perigosas em aparelhos eléctricos e electrónicos

Igualmente, cumpre as normas seguintes:

EN 60745-1/A11:2010
 EN 50580/A1:2013
 EN 55014-1/A2:2011
 EN 55014-2/A2:2008
 EN 61000-3-2/A2:2009
 EN 61000-3-3:2013
 IEC 62321:2008

INDUSTEX S. L.

Endereço: Av. Països Catalans, 34, 8.ª planta, 08950 ESPLUGAS DE LLOBREGAT (BARCELONA) ESPANHA

Fabricado na China

Wij danken u voor de aankoop van uw Total Painter® verfspuitpistool. Alvorens het te gebruiken vragen wij u de gebruiksaanwijzing en alle veiligheidsaanwijzingen aandachtig door te lezen. Bewaar de gebruiksaanwijzing op een goed toegankelijke plaats voor later gebruik.

NB: VERTALING VAN DE ORIGINELE AANWIJZINGEN

ALGEMENE VEILIGHEIDSAANWIJZINGEN

Fouten die voortkomen uit het niet in acht nemen van de volgende aanwijzingen, kunnen elektrische schokken, brand of zelfs ernstig letsel tot gevolg hebben. De stoffen die met dit spuitpistool worden gebruikt (oplosmiddelen, verf, enz.), kunnen gevaarlijke, schadelijke, ontplofbare of bijtende materialen bevatten.



WAARSCHUWING. Lees alle instructies en veiligheidsaanwijzingen door.

Het niet opvolgen hiervan kan elektrische schokken, brand of ernstig letsel tot gevolg hebben.

Bewaar de aanwijzingen en instructies voor later gebruik. De term «elektrisch gereedschap» in de waarschuwingen heeft zowel betrekking op gereedschap dat op het lichtnet (met een kabel) is aangesloten als op gereedschappen die op een accu (draadloos) werken.

1. Werkplek

Houd de werkplek goed schoon en goed verlucht. In een rommelige of donkere werkplek is de kans op ongevallen groter.

Gebruik geen elektrische gereedschappen op plaatsen met explosiegevaar waar zich ontvlambare vloeistoffen, gassen of stof bevinden. Elektrische gereedschappen produceren vonken die het stof of de gassen kunnen ontsteken.

- Controleer tijdens het spuiten of er in de omgeving geen ontstekingsbronnen zijn, zoals open vuur, sigarettenrook, vonken, gloeidraden en hete oppervlakken.

- Ter voorkoming van explosiegevaar tijdens de spuitwerkzaamheden dient u altijd te zorgen voor een goede natuurlijke of kunstmatige ventilatie.

- Dek de oppervlakken die niet gespoten worden goed af. Houd er rekening mee dat de wind de vernevel over grotere afstanden kan verplaatsen en op deze wijze schade kan veroorzaken.

- Houd kinderen en omstanders uit de buurt terwijl u het elektrisch gereedschap gebruikt. Door afleiding kunt u de controle hierover verliezen.

2. Elektrische veiligheid

- Voorkom contact met geaarde oppervlakken, zoals leidingen, verwarmingsapparaten en koelkasten, omdat er gevaar voor elektrische schokken bestaat als uw lichaam contact met aarde maakt.

- De stekker van het elektrisch gereedschap moet met het stopcontact overeenkomen. Onder geen enkele voorwaarde mag de oorspronkelijke stekker worden gewijzigd. Ook mogen er geen adapters bij geaarde apparaten worden gebruikt. De oorspronkelijke stekkers verminderen het risico van elektrische schokken.

- Voorkom fysiek contact met geaarde oppervlakken, zoals leidingen, radiatoren, kachels en koelkasten. Bij contact met een geaard oppervlak is het risico van elektrische schokken groter.

- Stel elektrische gereedschappen niet bloot aan regen en vocht. Als water in het elektrisch gereedschap binnendringt, is de kans op elektrische schokken groter.

- Gebruik het snoer niet op onjuiste wijze. Gebruik het niet om hiermee het elektrisch gereedschap te verplaatsen of de stekker uit het stopcontact te trekken. Houd het snoer uit de buurt van warmtebronnen, olie, scherpe randen of bewegende delen. Beschadigde of in de war geraakte snoeren verhogen de kans op een elektrische schok.

- Gebruik wanneer u elektrisch gereedschap buiten gebruikt, altijd een verlengsnoer dat geschikt is voor gebruik buitenshuis. Dit vermindert het gevaar van elektrische schokken.

- Als het gebruik van elektrisch gereedschap in een vochtige ruimte niet kan worden vermeden, gebruik dan altijd een aardlekschakelaar. Hiermee wordt de kans op elektrische schokken verminderd.

3. Veiligheid van personen

- Houd uw aandacht bij wat u doet en ga altijd welbewust te werk met elektrisch gereedschap. Gebruik geen elektrisch gereedschap wanneer u moe bent of onder invloed van drugs, alcohol of medicijnen verkeert. Eén moment van onoplettendheid tijdens het gebruik van het apparaat kan ernstig letsel tot gevolg hebben.

- Gebruik adembescherming. Verfnevels en dampen van oplosmiddelen zijn schadelijk voor de gezondheid.

- Gebruik persoonlijke beschermingsmiddelen en draag altijd een veiligheidsbril. Het gebruik van beschermingsmiddelen (zoals een stofmasker, slipvaste veiligheidsschoenen, helm en gehoorbescherming) vermindert de kans op letsel.

- Houd kinderen en andere personen uit de buurt van het apparaat tijdens het gebruik, want als u wordt afgeleid kunt u de controle over het apparaat verliezen.

- Voorkom ongewenst inschakelen van het gereedschap. Let erop dat de schakelaar in de stand «OFF» staat voordat u de stekker van het apparaat in het stopcontact steekt of de accu inschakelt, of wanneer u het apparaat opbergt of vervoert. Als u bij het verplaatsen van het elektrisch gereedschap uw vinger op de schakelaar houdt of het

apparaat aansluit met de schakelaar in stand «ON» kunnen er zich ongevallen voordoen.

- **Neem geen geforceerde houdingen aan en behoud altijd uw evenwicht.** Op deze manier behoudt u meer controle over het apparaat in onverwachte situaties.

- **Gebruik geschikte kleding. Draag geen ruimzittende kleding of sieraden. Houd uw haar, kleding en handschoenen uit de buurt van bewegende delen.** Ruimzittende kleding, sieraden en lang haar kunnen in de bewegende delen van het gereedschap verstrikt raken.

- Richt de verfstraal niet op personen of dieren.

- De Total Painter® mag niet worden gebruikt door personen (waaronder kinderen) met beperkte lichamelijke, sensorische of geestelijke vermogens of die niet over de benodigde ervaring en/of kennis beschikken tenzij onder toezicht van een persoon die voor hun veiligheid verantwoordelijk is of na uitleg te hebben gekregen over het gebruik van het apparaat. Kinderen dienen niet met het apparaat te spelen.

4. Gebruik en onderhoud van elektrisch gereedschap

- Er mogen uitsluitend materialen worden verwerkt die voor spuiten met een verfspuitpistool aanbevolen zijn.

- **Gebruik het elektrisch gereedschap niet als het met de schakelaar niet kan worden in- of uitgeschakeld.** Elektrische gereedschappen die niet met de schakelaar kunnen worden bediend, zijn gevaarlijk en moeten worden gerepareerd.

- **Haal de stekker van het gereedschap uit het stopcontact of schakel de accu uit alvorens het gereedschap bij te stellen, accessoires te vervangen of het op te bergen.** Door deze voorzorgsmaatregelen te treffen is de kans kleiner dat het gereedschap zich per ongeluk inschakelt.

- **Bewaars elektrisch gereedschap dat u niet gebruikt buiten het bereik van kinderen en sta niet toe dat personen het gebruiken die hiermee of met de aanwijzingen niet bekend zijn.** Elektrisch gereedschap is gevaarlijk als onervaren gebruikers hiermee omgaan.

- **Houd het onderhoud van elektrisch gereedschap bij.** Controleer of bewegende delen goed zijn afgesteld, er geen onderdelen kapot zijn of andere omstandigheden bestaan die een slechte werking van het elektrisch gereedschap kunnen veroorzaken. Als u beschadigingen opmerkt, laat deze dan repareren alvorens het gereedschap te gebruiken. Veel ongevallen zijn het gevolg van een gebrek aan onderhoud van het gereedschap.

- **Gebruik het elektrisch gereedschap, de accessoires, de onderdelen, enz. volgens deze aanwijzingen en houd rekening met de omstandigheden van de werkplek en de werkzaamheid die moet worden verricht.** Het gebruik van het elek-

trisch gereedschap voor andere dan de hier beschreven doeleinden kan gevaarlijk zijn.

- Verfspuitpistolen mogen niet worden gereinigd met brandbare oplosmiddelen waarvan het vlampunt lager is dan 21 °C.

- Spuitpistolen mogen niet worden gebruikt voor het vernevelen van brandbare stoffen.

- Spuit geen materialen waarvan niet bekend is of deze een gevaar vormen.

- Spuitbussen mogen niet worden gebruikt in industriële ruimten die onder de verordening inzake bescherming tegen explosies vallen.

- Let op de gevaren die het vernevelde materiaal kan veroorzaken en houd ook de aanwijzingen in acht op de labels van de reservoirs of de aanwijzingen van de fabrikant van het vernevelbare materiaal.

- Let erop dat dampen van oplosmiddelen niet door het apparaat worden aangezogen. Richt de spuitstraal niet op het apparaat!

- Als de verf in de luchtbuis (figuur 9A-12) komt, mag u niet doorgaan met het gebruik van het apparaat. In dat geval dient u de luchtbuis, het ventiel (figuur 9A-13) en het membraan (figuur 9A-14) te demonteren, schoon te maken en, indien nodig, het membraan te vervangen.

5. Service

- **Besteed de reparatie van uw elektrisch gereedschap uitsluitend uit aan bevoegd technisch personeel dat vervangingsonderdelen gebruikt die gelijkwaardig zijn aan de originele onderdelen.** Alleen op deze manier kan de veiligheid van het elektrisch gereedschap worden gegarandeerd.

OVERZICHT ONDERDELEN

(Zie figuur 1)

| | |
|----|---------------------------|
| 1 | Sproeier |
| 2 | Sproeiring |
| 3 | Huis van het pistool |
| 4 | Trekker |
| 5 | Stelschroef voor vloestof |
| 6 | Luchtbuis |
| 7 | Ventiel |
| 8 | Verfreservoir |
| 9 | Slang |
| 10 | Draagriem |

| | |
|----|--------------------|
| 11 | AAN/UIT-schakelaar |
| 12 | Stekker |
| 13 | Viscositeitsbeker |

MATERIAALSOORTEN

Gebruik het aanbevolen materiaal voor het pistool.

Voorbereiding van het afplakmateriaal

Met Total Painter® kunt u verf, lak en vernis, zonder verdunnen of enigszins verdund, spuiten.

Als de verf moet worden verdund, begin dan eerst met een verdunding van 10% van de verf. U doet dit door een bak van één liter met de te gebruiken verf te vullen. Houd er rekening mee dat de viscositeitsbeker een inhoud heeft van één deciliter en u moet dus de opening afdekken en de beker met het benodigde oplosmiddel vullen. Voeg dit aan de verf toe en roer het goed door. Meet vervolgens de viscositeit aan de hand van de hieronder aanbevolen informatie. Indien de verf nog verder moet worden verdund, verdund deze dan met nog eens 5% (de helft van de inhoud van de beker) en meet de viscositeit. Als de verf nog steeds niet de aanbevolen viscositeit heeft, herhaal dan de vorige stap totdat de gewenste viscositeit is bereikt.

Dit verfspuitpistool kan worden gebruikt met producten met een viscositeit van 25 DIN-sec. tot maximaal 50 DIN-sec. Dompel de viscositeitsbeker in het materiaal en vul hem. Meet vervolgens hoe lang het duurt totdat de beker is leeggelopen (figuur 2). Deze tijd wordt aangeduid als "DIN-seconden (DIN-sec.)". Naast deze aanbevelingen dient u ook de aanwijzingen van de fabrikant van het materiaal te raadplegen als richtlijn om te bepalen of het materiaal verder verdund moet worden.

Aanbevelingen:

| Voorbeeld materiaal | DIN-richtwaarden |
|--|------------------|
| Verf op waterbasis en emulsies | 25-50 DIN-sec. |
| Lakken, kleurlakken met oplosmiddelen of in water oplosbaar | 45-50 DIN-sec. |
| Vernissen | zonder verdunnen |
| Grondverven | 45-50 DIN-sec. |
| Impregneermiddelen voor hout, kleurstoffen, oliën, ontsmettingsmiddelen, gewasbeschermingsmiddelen | zonder verdunnen |

Volg de instructies in deze handleiding alleen op als er bij het materiaal dat u wenst te gebruiken geen specifieke instructies zijn bijgevoegd. Gebruik anders de instructies die bij het materiaal zijn meegeleverd.

INBEDRIJFSTELLING

Alvorens het apparaat op het lichtnet aan te sluiten dient u erop te letten of de spanning van het lichtnet overeenkomt met de gegevens op het typeplaatje van de Total Painter®.

- Monteer eerst de draagriem van het apparaat.
- Schroef het reservoir van het verfspuitpistool los.
- Lijn de stijgbuis (figuur 3) uit. Als de stijgbuis zich in de goede stand bevindt, kan de inhoud van het reservoir vrijwel geheel worden verneveld. Om horizontale vlakken te verven of te behandelen moet u de stijgbuis naar voren draaien (figuur 3A). Voor het spuiten van voorwerpen boven uw hoofd moet u de stijgbuis naar achteren draaien (figuur 3B).
- Zet het reservoir op een stuk papier en vul het met het te vernevelen materiaal.
- Monteer de luchtbuis op het aansluitstuk van het apparaat en op de handgreep van het pistool (figuur 4).
- De flexibele luchtbuis moet op het verfspuitpistool worden aangesloten; let erop dat deze goed vast zit; de buis hoeft er niet volledig ingeschoven te worden, het is voldoende dat hij goed bevestigd is.
- Plaats het apparaat op een vlakke en schone ondergrond omdat het anders stof e.d. kan aanzuigen.
- Doe de draagriem met het apparaat om.
- Richt het verfspuitpistool op het te bespuiten voorwerp.
- Geadviseerd wordt eerst het spuiten te testen op een stuk karton of op een soortgelijke ondergrond als dat van het voorwerp dat u gaat bespuiten. U kunt zo de hoeveelheid materiaal en de spuitstraal bepalen.
- Bedien de AAN/UIT-schakelaar en begin met het gebruik van de Total Painter®.

Spuitstraal kiezen

Er zijn drie straalvormen voor het spuiten:

1. straal in verticale waaijer, geschikt voor horizontale oppervlakken (figuur 5A)
2. straal in horizontale waaijer, geschikt voor verticale oppervlakken (figuur 5B)
3. ronde straal, voor hoeken en moeilijk bereikbare vlakken (figuur 6C)

Spuitstraal instellen

Draai, nadat u de sproeiing iets hebt losgedraaid, de luchtdop in de gewenste straalstand (figuur 6). Draai hierna de sproeiing weer aan. Haal nooit de trekker van het pistool over terwijl u de luchtdop afstelt.

De hoeveelheid materiaal instellen

Om de hoeveelheid materiaal in te stellen draait u de regelknop op de trekker van het pistool:

- naar links, voor een kleinere hoeveelheid
- naar rechts, voor een grotere hoeveelheid (figuur 7)

Spuitmethoden

Voor een goed resultaat is het belangrijk dat het oppervlak volledig schoon en vlak is voordat u met het spuiten begint. Geadviseerd wordt het oppervlak vooraf grondig te behandelen.

- Plak alle oppervlakken die niet worden gespoten af met inbegrip van ringen en schroeven.
- Spuit eerst een proefstukje op een stuk karton of op een soortgelijke ondergrond als die van het voorwerp dat u gaat bespuiten, zodat u weet hoe u het spuitpistool het best kunt instellen. Ook wordt geadviseerd buiten het oppervlak met spuiten te beginnen en het spuiten op het oppervlak niet te onderbreken.
- De verplaatsing bij het spuiten moet niet uit de pols maar uit de arm komen, zo garandeert u dat de afstand tussen het pistool en het oppervlak altijd gelijk is. Kies een afstand van 5-15 cm, afhankelijk van de gewenste breedte van de straal. In figuur 8A is de juiste positie aangegeven: de afstand tot het voorwerp is gelijkmatig; in figuur 8B wordt daarentegen de verkeerde positie getoond want een ongelijke afstand geeft een onregelmatig resultaat.

Richt het spuitpistool gelijkmatig in transversale richting of omhoog en omlaag, afhankelijk van de instelling van de spuitstraal.

Het gelijkmatige bewegen van het verfspuitpistool levert een gelijkmatig oppervlak op.

Als het afwerk materiaal zich in de sproeier en de luchtdop ophoopt, moeten beide onderdelen met oplosmiddel of water worden schoongemaakt.

HET GEBRUIK ONDERBREKEN

Als u het gebruik van het apparaat voor minder dan 4 uur moet onderbreken:

- Schakel het apparaat uit.
- Bij het verwerken van 2-component lakken moet het apparaat onmiddellijk worden schoongemaakt.

BUITEN BEDRIJF STELLEN

Voor de correcte werking van het apparaat is goed schoonmaken van wezenlijk belang. Geadviseerd wordt:

- Neem de stekker uit het stopcontact. Ontlucht de reservoirs als u het werk langere tijd onderbreekt of met het werk klaar bent. Open daartoe het reservoir even en sluit het vervolgens weer, of bedien de trekker van het verfspuitpistool en giet de verf over in de originele verpakking.
- Demonteer het verfspuitpistool.
- Draai het reservoir los. Verwijder het materiaal dat overgebleven is, en giet het terug in de verpakking.
- Maak met een borsteltje het reservoir en de stijgbuis

schoon.

- Vul het reservoir met oplosmiddel of water en draai het vast. Er mogen uitsluitend oplosmiddelen gebruikt worden waarvan het vlampunt boven 21 °C ligt.

- Monteer het verfspuitpistool opnieuw (figuur 9).

- Steek de stekker in het stopcontact, zet het apparaat aan en spuit oplosmiddel of water in een bak of doek.

- Zet het apparaat uit en neem de stekker uit het stopcontact.

- Draai het reservoir los en leeg het. Verwijder de stijgbuis en de pakking van het reservoir.

- Trek de luchtbuis (figuur 9A-12) tot boven het huis van het verfspuitpistool. Draai de ventieldop los (figuur 9A-13) en verwijder het membraan (figuur 9A-14). Maak alle onderdelen grondig schoon.

- Draai de sproeier los, verwijder de luchtdop en de sproeier. Maak de luchtdop, de pakking van de sproeier en de sproeier met een borsteltje en oplosmiddel, of water, schoon. Het wordt niet aangeraden de pakkingen, het membraan en de openingen van de sproeier of de ontluuchtingsholten van het verfspuitpistool met scherpe metalen voorwerpen schoon te maken.

- Maak de buitenkant van het verfspuitpistool met een in oplosmiddel of water gedrenkt doekje schoon.

- Monteer de onderdelen opnieuw.

Onderhoud

Luchtdop/sproeier– Verwijder de luchtdop en sproeier van het pistool en dompel ze onder in schoon oplosmiddel. Droog het pistool met perslucht. Als de kleine openingen verstopt zijn, leg dan ook de luchtdop in oplosmiddel. Als de openingen geruimd moeten worden, gebruik dan een tandenstoker, een rietje of een ander voorwerp van een materiaal dat niet erg hard is.

Maak de openingen niet met draden, spijkers of een ander soortgelijk hard voorwerp schoon. Als u deze aanwijzingen niet in acht neemt, kan de dop blijvend beschadigd raken. Als de stralen groter worden kan het resultaat van het spuiten mogelijk onvoldoende zijn.

De set bevat een reinigingsnaald; dit gereedschap dient om de kleinste openingen van het verfspuitpistool te reinigen en van verfesten te ontdoen; gebruik dit gereedschap als u de verfesten niet volledig hebt kunnen verwijderen na het uitvoeren van de eerder beschreven onderhoudsstappen.

Opbergen

Bewaar het verfspuitpistool met wat oplosmiddel in de luchtdop en de sproeier om te voorkomen dat de naald van het verfspuitpistool uitdroogt of breekt. Als dit gebeurt kan er lucht of vloeistof lekken.

MONTAGE

Het apparaat mag uitsluitend wordt gebruikt met

een onbeschadigd membraan (figuur 9A-14). Plaats het membraan met de pen omhoog op het onderste deel van het ventiel. Zie ook het merkteken op het huis van het pistool. Plaats de dop voorzichtig op het ventiel en draai deze vast terwijl u op de dop drukt. Steek de luchtbuis door de dop van het ventiel en het aansluitstuk in het huis van het pistool. Plaats de sproeier zodanig dat deze in de inkepingen van het pistool grijpt (figuur 9B).

Zet de sproeier in het huis van het pistool en draai hem op de juiste plaats. Zet de luchtdop op de sproeier en zet deze vast met de sproeiring. Plaats tot slot de pakking van het reservoir onder de stijgbuis en schuif hem door tot aan de verbinding. Draai hiertoe de pakking van het reservoir iets en breng de stijgbuis met de pakking in het huis van het pistool aan.

DE SET BESTAAT UIT

- Hoofdeenheid
- Slang
- Draagriem
- Viscositeitsbeker
- Verfspuitpistool
- Verfreservoir
- Reinigingsnaald

TECHNISCHE KENMERKEN

SPANNING: 220-240 V; 50 Hz
 OPGENOMEN VERMOGEN: 900 W
 DEBIET: 800 ml/min (sproeiwater)
 INHOUD RESERVOIR: 800 ml
 LENGTE FLEXIBELE SLANG: 1,5 m
 MAXIMALE VISCOSITEIT: 45 DIN-sec.
 MOTORTOERENTAL: 36.000 omw./min.
 GEWICHT: 1,9 kg
 Geluidsgegevens: LpA = 82,1 dB(A); LwA = 93,1 dB(A) K = 3
 Trillinggegevens: 2180 m/s² K = 1,5

Kwaliteitsgarantie:

Voor dit product geldt een garantie tegen fabrieksfouten gedurende een periode die in de wetgeving van het betreffende land is vastgelegd.

Onder de garantie valt niet de schade die het gevolg is van verkeerd of nalatig gebruik, abnormale slijtage, ongelukken of onjuiste behandeling.

LET OP AFVOEREN



Het symbool van een container op wielen met een kruis erdoor geeft aan dat u zich dient te informeren over hoe dit soort producten volgens de plaatselijke voorschriften moet worden afgevoerd.

Voer dit product niet met het gebruikelijke huisvuil af. U dient dit volgens de desbetreffende plaatselijke voorschriften te doen.

Elektrische en elektronische producten bevatten gevaarlijke stoffen die een zeer schadelijk effect op het milieu of de volksgezondheid hebben en dienen op een passende wijze gerecycleerd te worden.



Dit apparaat is dubbel geïsoleerd en hoeft niet op een geaard stopcontact te worden gebruikt. Controleer altijd of de netspanning overeenkomt met de aangegeven spanning op het typeplaatje.



WAARSCHUWING: Lees deze gebruiker-shandleiding aandachtig door om de kans op letsel te verminderen.

Conformiteitsverklaring

Wij verklaren onder eigen verantwoordelijkheid dat dit SPUITPISTOOL van 900 W VBRVACIND0001 aan de volgende richtlijnen en gestandaardiseerde documenten voldoet:

EU-richtlijn 2006/42/CE
 Laagspanningsrichtlijn 2006/95/CE (tot 19 april 2016)
 Richtlijn 2014/35/EG (vanaf 20 april 2016)
 Richtlijn 2014/30/EG inzake elektromagnetische compatibiliteit
 Richtlijn 2011/65/EG inzake de beperking van het gebruik van gevaarlijke stoffen in elektrische en elektronische apparaten

Hiernaast voldoet het aan de volgende normen:

EN 60745-1/A11:2010
 EN 50580/A1:2013
 EN 55014-1/A2:2011
 EN 55014-2/A2:2008
 EN 61000-3-2/A2:2009
 EN 61000-3-3:2013
 IEC 62321:2008

INDUSTEX S. L.

Adres: Av. Països Catalans, 34, 8.^a planta, 08950 ESPLUGAS DE LLOBREGAT (BARCELONA) SPANJE

Gefabriceerd in China

TOTAL PAINTER®



Industex, s.l.
Av. P. Catalanes 34, 1^{er} planta
08750 Esplugas de Llobregat
Barcelona - Spain
e-mail: industex@industex.com
www.industex.com
(+34) 93 254 71 00



17 rue de la Garenie
CS 90021 SLOUEN L'AUMONE
95046 CERGY PONTOISE CEDEX
FRANCE
venteo@venteo.fr
www.venteo.fr
(+33) 1 34258531



ISL GmbH
Edenwälder Landstrasse 55
D 26131 Oldenburg Germany
www.isl.de.com
+49 (0) 441 95 07 080

Industex GmbH
Edenwälder Landstrasse 55
D 26131 Oldenburg Germany



Australian Importer
Best Direct International PTY LTD
ABN 19 145 870 337
Best Direct B.V.
Thermiekstraat 1, 6361 H8 NUTH
THE NETHERLANDS
www.bestdirect.nl

Best Direct International Ltd.
Asiakaspalvelu - Suomi:
029 193 0000 www.bestdirect.fi
Kundtjänst - Sverige:
077 033 0000 www.bestdirect.se



ISL ITALY S.r.l.
P.IVA: 06719170966
Via Donzetti 3
20122 Milano - Italia
www.isl.italy.com
industex@industex.com

